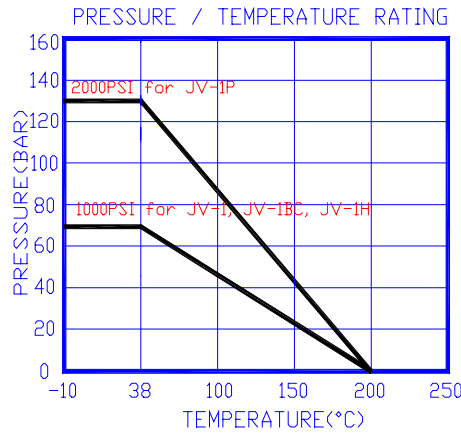


- **Port Bore:** Reduced Bore
- **End:** NPT, BSPT, ISO-228 Thread
- **Material:** S/S; ASTM A351-CF8M; EN10213-4:1.4408
C/S; ASTM A216-WCB; EN10213-1:1.0619
- **Pressure:** **1000PSI** (PN63) for JV-1, JV-1BC, JV-1H
2000PSI (PN130) for JV-1P
- **Testing:** According to API-598 (EN12266-1,2)
- **Certificate:** EN10204-3.1B
- **Temp.:** -50°F to 400°F (-10°C to 200°C)
- **Seat/Seal:** See Below
- **Stem:** S/S316 Blow-out Proof
- **OPTIONS:** Padlocking Device, Oval or Butterfly Handle

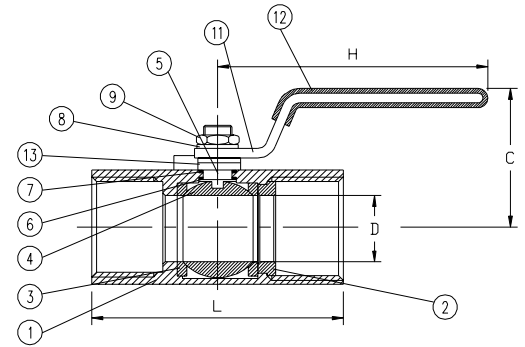


MATERIAL LIST			
NO.	PART	MATERIAL	QTY
1	Body	CF8M/1.4408	1
2	Seat Retainer	CF8M/1.4408	1
3	Seat	PTFE/RPTFE	2
4	Ball	S/S316	1
5	Stem	S/S316	1
6	Thrust Washer	PTFE	1
7	Stem Packing	PTFE	1
8	Stem Washer	S/S304	2
9	Stem Nut	S/S304	1~2
10	Locking Device	S/S304	1
11	Handle	S/S304	1
12	Handle Sleeve	Plastic	1
13	Gland Washer	S/S304	1



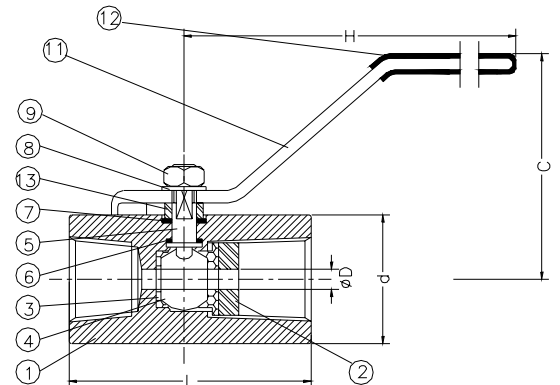
DJV-1
Economic Type
1000PSI (PN63), PTFE seat

DIMENSIONS (mm)							
Dime Size	D	L	C	H	WT (KG)	TQ (N.m)	
1/4"	5	39	38	62.5	0.07	0.61	
3/8"	7	44	40	73	0.11	1.02	
1/2"	9.2	56.5	51	85	0.18	1.53	
3/4"	12.5	59	53.5	87	0.26	2.04	
1"	16	71	56	107	0.42	3.57	
1-1/4"	20	78	61.5	107	0.75	5.61	
1-1/2"	25	83	68	130	0.85	7.14	
2"	32	100	73	130	1.35	7.65	



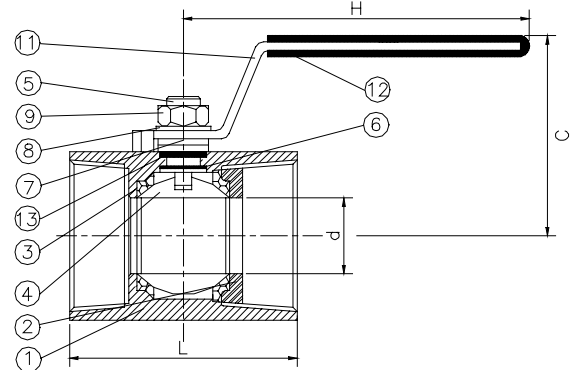
DJV-1BC
Bar-Stock Type
1000PSI (PN63), PTFE seat

DIMENSIONS (mm)							
Dime Size	D	d	L	C	H	WT (KG)	TQ (N.m)
1/4"	6	22	48	30	75	0.10	0.4
3/8"	8	27	52	37	88	0.20	0.5
1/2"	10	32	60	41	102	0.30	3.5
3/4"	12	37	67	45	102	0.45	5
1"	17	44	72	48	103	0.60	7
1-1/4"	23	53	90	60	121	1.00	12
1-1/2"	25	63	96	63	154	1.55	14
2"	32	74	112	74	162	2.30	16



DJV-1H
Hexagonal Type
1000PSI (PN63), PTFE seat

DIMENSIONS (mm)							
Dime Size	D	L	C	H	WT (KG)	TQ (N.m)	
1/4"	5	39	30.5	70	0.07	0.51	
3/8"	7.2	44	31	81.5	0.12	0.82	
1/2"	9.2	56.5	47	97	0.20	0.92	
3/4"	12.5	59	51	97	0.29	2.04	
1"	15	71	52	101	0.43	4.08	
1-1/4"	20	78	57	101	0.71	6.33	
1-1/2"	25	83	66.5	146	0.84	7.96	
2"	32	100	71.5	146	1.35	9.18	



DJV-1P
Heavy-Duty Type
2000PSI (PN130), 15% R-PTFE seat

DIMENSIONS (mm)							
Dime Size	D	L	C	H	WT (KG)	TQ (N.m)	
1/4"	9.2	58	46	108	0.32	0.51	
3/8"	9.2	58	46	108	0.32	0.82	
1/2"	9.2	66	56	98	0.28	0.92	
3/4"	12.5	70	58	98	0.36	2.04	
1"	15	80	70	97	0.63	4.08	
1-1/4"	20	95	74	100	0.89	6.33	
1-1/2"	25	100	74	137	1.25	7.96	
2"	32	114	81	141	1.86	9.18	

