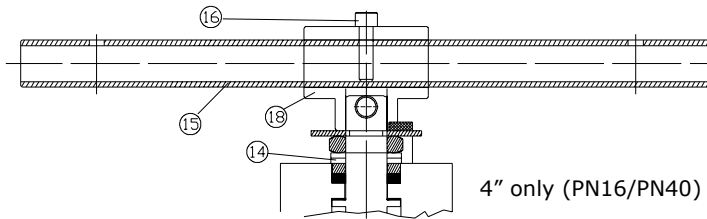
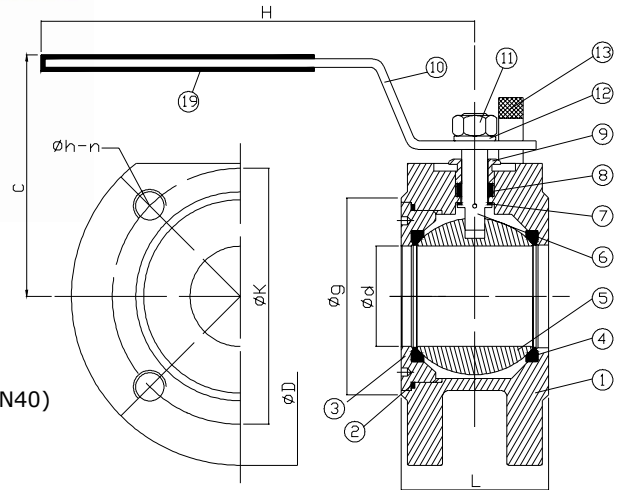


- **FEATURE:** ISO-5211 Top Flange
- **Port Bore:** Full Bore
- **Design:** EN12516-1:2000, ASME B16.34
- **Material:** S/S; EN10213-4:1.4408; ASTM A351-CF8M  
C/S; EN10213-1:1.0619; ASTM A216-WCB
- **Flange:** EN1092-1: PN16/PN40 for JV-9108  
ANSI-B16.5 Class 150 for JV-9100
- **Testing:** According to EN12266-1,2 (API-598)
- **Certificate:** EN10204-3.1B
- **Temp.:** -10°C to 200°C (-50°F to 400°F)
- **Seat/Seal:** PTFE (Virgin Pure PTFE)
- **Stem:** S/S316 Blow-out Proof with Anti-Static Device
- **OPTIONS:** Padlocking Device  
Gear Operator or Pneumatic Actuator



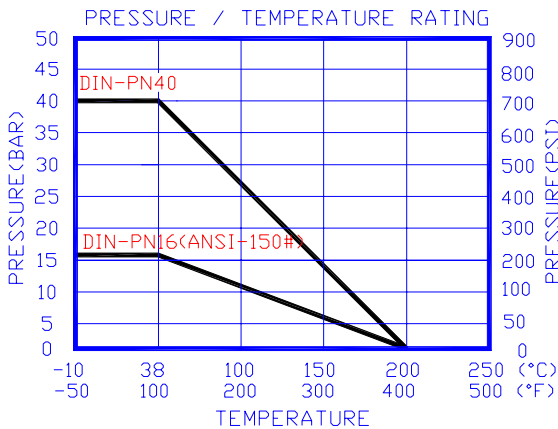
**DJV-9108**  
Compact Wafer Type

1/2" ~ 3" (PN40)

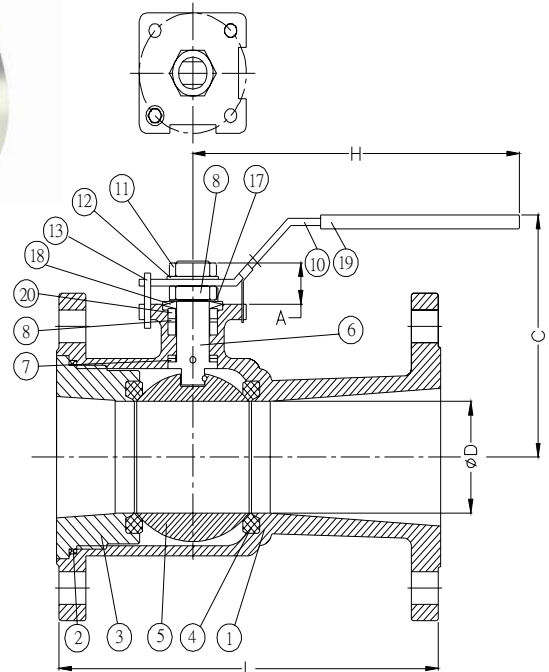


| MATERIAL LIST |                  |             |      |
|---------------|------------------|-------------|------|
| NO.           | PART             | MATERIAL    | Q'TY |
| 1             | Body             | CF8M/1.4408 | 1    |
| 2             | Seal             | PTFE        | 1    |
| 3             | Ring Nut         | S/S316      | 1    |
| 4             | Seat             | PTFE        | 2    |
| 5             | Ball             | CF8M/1.4408 | 1    |
| 6             | Anti-Static Stem | S/S316      | 1    |
| 7             | Thrust Washer    | PTFE        | 1    |
| 8             | Stem Packing     | PTFE        | 2    |
| 9             | Gland Nut        | S/S304      | 1    |
| 10            | Handle           | S/S304      | 1    |
| 11            | Stem Nut         | S/S304      | 1    |
| 12            | Stem Washer      | S/S304      | 1    |
| 13            | Stop Pin         | S/S304      | 1    |
| 14            | T - Socket       | S/S304      | 1    |
| 15            | Tube Handle      | S/S304      | 1    |
| 16            | Round Head Screw | S/S304      | 1    |
| 17            | Stopper Nut      | S/S304      | 1    |
| 18            | Belleville Disc  | S/S301      | 2    |
| 19            | Handle Sleeve    | Plastic     | 1    |
| 20            | Gland Ring       | S/S304      | 1    |

| DIMENSIONS (mm) for PN16/PN40 of DJV-9108: |      |     |       |     |     |       |     |   |       |          |         |          |
|--|------|-----|-------|-----|-----|-------|-----|---|-------|----------|---------|----------|
| DN   | d    | D   | C     | g   | K   | H     | h   | n | L     | ISO-5211 | WT (KG) | TQ (N.m) |
| 15   | 15.4 | 95  | 67.5  | 45  | 65  | 147   | M12 | 4 | 34.5  | F03      | 1.25    | 4.5      |
| 20   | 20.3 | 105 | 73    | 58  | 75  | 147   | M12 | 4 | 38.5  | F03      | 1.70    | 2        |
| 25   | 25.4 | 115 | 81.5  | 68  | 85  | 156.5 | M12 | 4 | 44.5  | F04      | 2.30    | 6        |
| 32   | 32.5 | 140 | 96.5  | 78  | 100 | 172.5 | M16 | 4 | 54    | F05      | 3.50    | 15       |
| 40   | 38   | 150 | 96.5  | 88  | 110 | 214   | M16 | 4 | 62    | F05      | 4.15    | 26       |
| 50   | 50   | 165 | 105.5 | 100 | 125 | 214   | M16 | 4 | 80    | F05      | 6.15    | 19       |
| 65   | 66   | 185 | 143   | 122 | 145 | 267   | M16 | 8 | 104   | F07      | 10.95   | 70       |
| 80   | 80   | 200 | 150   | 138 | 160 | 267   | M16 | 8 | 118   | F07      | 13.80   | 85       |
| 100  | 96   | 220 | 174   | 158 | 180 | 339   | M16 | 8 | 148.4 | F07      | 22.85   | 86       |



**DJV-9100**  
Uni-Body Type



| DIME. (mm): for ANSI-150# of DJV-9100 |     |      |     |     |     |      |          |         |          |
|---------------------------------------|-----|------|-----|-----|-----|------|----------|---------|----------|
| INCH                                  | MM  | D    | L   | C   | H   | A    | ISO-5211 | WT (KG) | TQ (N.m) |
| 1/2"                                  | 15  | 12.7 | 108 | 75  | 150 | 14.5 | F03      | 1.45    | 6.5      |
| 3/4"                                  | 20  | 15   | 118 | 82  | 150 | 16   | F04      | 1.85    | 9.5      |
| 1"                                    | 25  | 20   | 127 | 91  | 150 | 16   | F04      | 2.55    | 13.5     |
| 1-1/2"                                | 40  | 32   | 165 | 104 | 180 | 21   | F05      | 4.06    | 19.5     |
| 2"                                    | 50  | 38   | 178 | 118 | 180 | 21   | F05      | 6.7     | 30       |
| 2-1/2"                                | 65  | 50   | 190 | 135 | 200 | 62   | F07      | 11.64   | 50       |
| 3"                                    | 80  | 65   | 203 | 170 | 400 | 62   | F07      | 15.2    | 60       |
| 4"                                    | 100 | 80   | 229 | 182 | 400 | 62   | F07      | 23.7    | 125      |