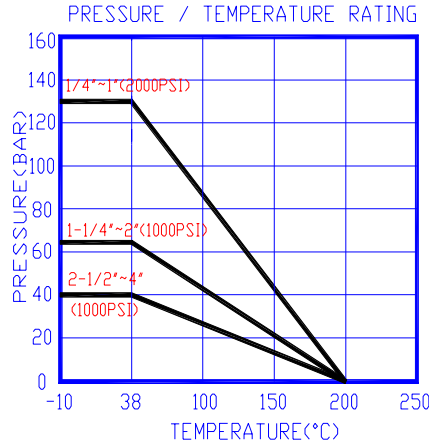


- **Port Bore:** Full Bore
- **End:** NPT, BSPT, ISO-228 Thread
- **Material:** S/S; ASTM A351-CF8M; EN10213-4:1.4408
C/S; ASTM A216-WCB; EN10213-1:1.0619
- **Pressure:** **2000PSI** (PN130) for 1/4" to 1"
1000PSI (PN63) for 1-1/4" to 2"
1000PSI (PN40) for 2-1/2" to 4"
- **Testing:** According to API-598 (EN12266-1,2)
- **Certificate:** EN10204-3.1B
- **Temp.:** -50°F to 400°F (-10°C to 200°C)
- **Seat/Seal:** 15% RPTFE (Reinforced Glassfiber PTFE)
- **Stem:** S/S316 Blow-out Proof
- **OPTIONS:** Padlocking Device, Anti-Static Device



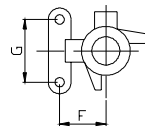
MATERIAL LIST			
NO.	PART	MATERIAL	QTY
1	Body	CF8M/1.4408	1
2	Cap	CF8M/1.4408	1
3	Ball	S/S316	1
4	Seat	15%-RPTFE	2
5	Anti-Static Stem	S/S316	1
6	Seal	PTFE	1
7	Thrust Washer	PTFE	1
8	Stem Packing	PTFE	2
9	Gland Nut	S/S304	1
10	Stem Nut	S/S304	1
11	Stem Washer	S/S304	1
12	Handle	S/S304	1
13	Handle Sleeve	Plastic	1
14	Locking Device	S/S304	1



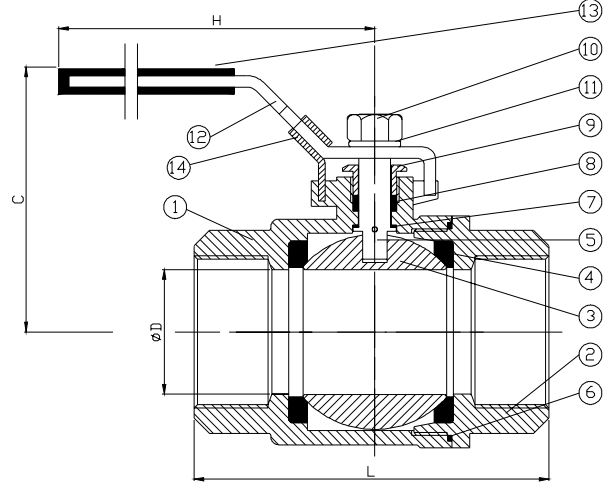
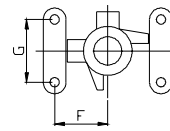
DJV-2B
DIN3203-M3 Length

DIMENSIONS (mm)								
Dime Size	D	L	C	H	F	G	WT (KG)	TQ (N.m)
1/4"	11.5	50	54.5	105	12.7	28.5	0.30	3
3/8"	12.5	60	54.5	105	12.7	28.5	0.30	3
1/2"	15	75	57	105	12.7	28.5	0.40	5
3/4"	20	80	67.5	125	22.1	35	0.60	6
1"	25	90	72.5	153	22.1	35	0.95	7.5
1-1/4"	32	110	84.3	153	23.6	38	1.45	15
1-1/2"	38	120	96.5	192	23.6	38	2.64	20
2"	49	140	102.5	192	28.9	38	3.35	25
2-1/2"	65	185	140	259	35	55	7.45	45
3"	80	205	156	259	37.5	72	11.45	60

1/4"~2-1/2" TYPE



3" TYPE



DJV-2N
ISO-5211 Top Flange

DIMENSIONS (mm)								
Dime Size	D	L	C	H	M	ISO-5211	WT (KG)	TQ (N.m)
1/4"	11.5	55.3	67.4	115	5	F04	0.34	3
3/8"	12.5	55.3	67.4	115	5	F04	0.32	3
1/2"	15	66.4	70.7	115	5	F04	0.39	4
3/4"	20	73.4	77	115	6.5	F04	0.53	7.5
1"	25	84.8	81.5	163	8	F04	0.77	11
1-1/4"	32	99.5	89	163	8	F05	1.23	14
1-1/2"	38	112.7	100.3	193.5	9	F05	1.92	20
2"	49	129	107.8	193.5	9	F05	2.90	25
2-1/2"	65	162.8	143.7	245	12	F07	6.25	40
3"	80	177	147	245	12	F07	9.35	75
4"	100	235	186.8	282	16	F10	21.30	110

