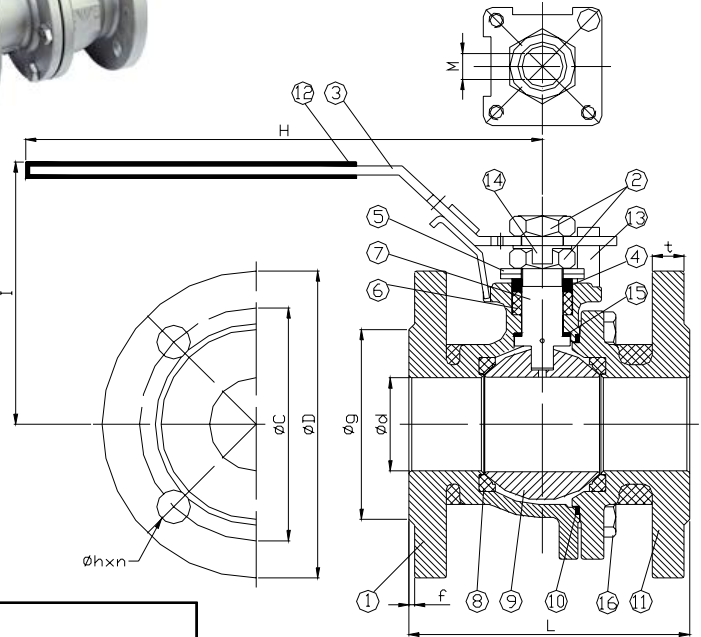


- FEATURE:** **API-607 Firesafe Approved Certificate**  
**ISO-5211 Top Flange, Ball with Relief Hole**
- Port Bore:** Full Bore
- Design:** EN12516-1:2000, ASME B16.34
- Face-Face:** EN558-1 GR. 1/27 Length, ANSI-B16.10
- Material:** S/S; EN10213-4:1.4408; ASTM A351-CF8M  
C/S; EN10213-1:1.0619; ASTM A216-WCB
- Flange:** **EN1092-1: PN16/PN40**  
**ANSI-B16.5 Class 150/300** (EN1759-1)
- Testing:** According to EN12266-1,2 (API-598)
- Certificate:** EN10204-3.1B
- Temp.:** -10°C to 200°C (-50°F to 400°F)
- Seat/Seal:** PTFE (Virgin Pure PTFE)
- Stem:** S/S316 Blow-out Proof with Anti-Static Device
- OPTIONS:** Padlocking Device, 25% R-PTFE Available  
Graphite Seat/Gasket for **API-607 Approved**  
Gear Operator or Pneumatic Actuator



**DJV-2FB (Full Bore)**

**API 607 4<sup>th</sup> EDITION**  
**Certified**



Test Pressure		
Test	Class 150	Class 300
Shell by water	435 PSIG	1125 PSIG
Seat by water	319 PSIG	825 PSIG
Seat by air	100 PSIG	100 PSIG

DIMENSION: DIN-PN16																
DN	d	D	C	g	t	f	h	n	H	I	L		M	ISO-5211	WT (KG)	TQ (N.m)
											GR1	GR27				
For DN15 to DN50 Please See Dimension of PN-40																
65	65	185	145	122	18	3	18	8	275	150	290	170	14	F07	16.15	60
80	80	200	160	138	20	3	18	8	372	185	310	180	19	F10	20.59	90
100	100	220	180	158	20	3	18	8	372	200	350	190	19	F10	29.7	132.6
DIMENSION: DIN-PN40																
15	15	95	65	45	16	2	14	4	163	86	130	115	8	F04	2.25	6
20	20	105	75	58	18	2	14	4	163	92	150	120	8	F04	3.1	6
25	25	115	85	68	18	2	14	4	174	106	160	125	8	F05	4.25	20
32	32	140	100	78	18	2	18	4	174	114	180	130	10	F05	6.05	27.5
40	38	150	110	88	18	3	18	4	214	116	200	140	10	F05	7.4	40
50	50	165	125	102	20	3	18	4	275	136	230	150	14	F07	12.3	50
65	65	185	145	122	22	3	18	8	275	150	290	170	14	F07	17.77	60
80	80	200	160	138	24	3	18	8	372	185	310	180	19	F10	22.65	90
100	100	235	190	162	24	3	22	8	372	200	350	190	19	F10	32.67	132.6
DIMENSIONS (mm): ANSI-150#																
INCH	d	D	C	g	t	f	h	n	H	I	L	M	ISO-5211	WT (KG)	TQ (N.m)	
1/2"	15	89	60.3	34.9	11.1	1.5	15.9	4	163	86	108	8	F04	1.65	6	
3/4"	20	98	69.8	42.9	11.1	1.5	15.9	4	163	92	117	8	F04	2.15	6	
1"	25	108	79.4	50.8	11.1	1.5	15.9	4	174	106	127	10	F05	3.05	20	
1-1/4"	32	117	88.9	63.5	12.7	1.5	15.9	4	174	114	140	10	F05	4.40	27.5	
1-1/2"	38	127	98.4	73	14.3	1.5	15.9	4	214	116	165	10	F05	5.45	40	
2"	50	152	121	92.1	15.7	1.5	19	4	275	136	178	14	F07	9.95	50	
2-1/2"	65	178	140	105	17.5	1.5	19	4	275	150	190	14	F07	13.55	60	
3"	80	190	152	127	19.1	1.5	19	4	372	185	203	19	F10	20.1	90	
4"	100	229	191	157	23.8	1.5	19	8	372	200	229	19	F10	29.35	132.6	
DIMENSIONS (mm): ANSI-300#																
1/2"	15	95	66.7	34.9	14.3	1.5	15.9	4	163	86	140	8	F04	2.05	6	
3/4"	20	117	82.6	42.9	15.9	1.5	19	4	163	92	152	8	F04	2.9	6	
1"	25	124	88.9	50.8	17.5	1.5	19	4	174	106	165	10	F05	3.7	20	
1-1/4"	32	133	98.4	63.5	19.1	1.5	19	4	174	114	178	10	F05	5.65	27.5	
1-1/2"	38	156	115	73	20.6	1.5	22.2	4	214	116	190	10	F05	7.05	40	
2"	50	165	127	92.1	22.4	1.5	19	8	275	136	216	14	F07	9.9	50	
2-1/2"	65	190	149	105	25.4	1.5	22.2	8	275	150	241	14	F07	16.15	60	
3"	80	210	168	127	28.4	1.5	22.2	8	372	185	283	19	F10	22.75	90	
4"	100	254	200	157	31.8	1.5	22.2	8	372	200	305	19	F10	35	132.6	

MATERIAL LIST			
NO.	PART	MATERIAL	Q'TY
1	Body	1.4408/CF8M	1
2	Stem Nut	A2-70/A194 8A	2
3	Locking Handle	1.4301/SS304	1
4	Gland Ring	1.4401/A276-316	1
5	Belleville Disc	S/S301	2
6	Stem Packing	PTFE	2
7	Anti-static Stem	1.4401/A276-316	1
8	Seat	PTFE	2
9	Ball - Relief Hole	1.4408/CF8M	1
10	Seal	PTFE	1
11	Cap	1.4408/CF8M	1
12	Handle Sleeve	Plastic	1
13	Stop Pin	1.4301/SS304	1
14	Nut Stopper	1.4301/SS304	1
15	Thrust Washer	PTFE	1
16	Nut	A2-70/A194 8A	4~8

