
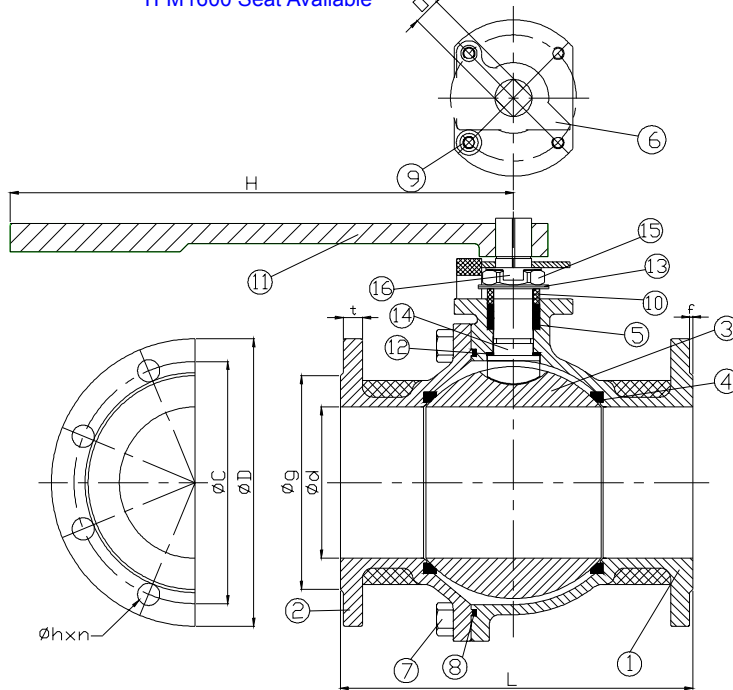
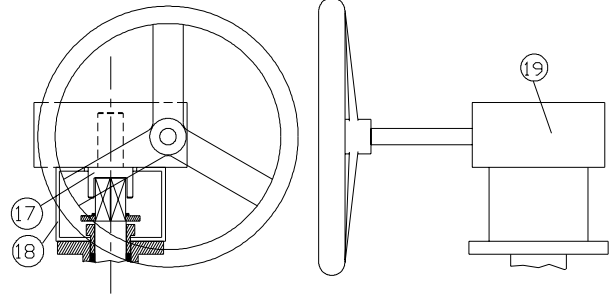


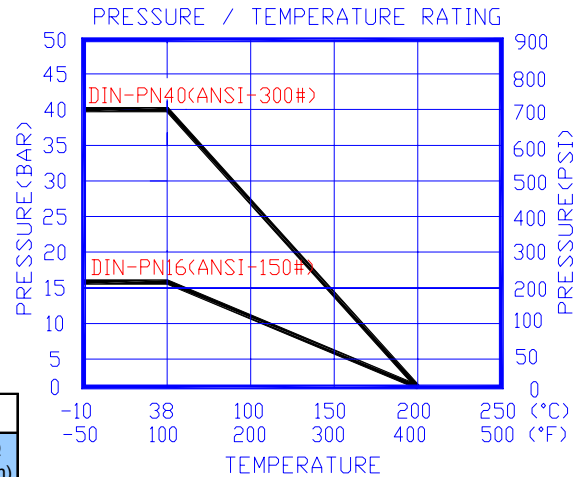
- **FEATURE:** Large Flanged BS6755 Firesafe-Approved Ball Valve
- **Design:** EN12516-1:2000 (PN16/PN40), ASME B16.34: ANSI#150/300
- **Face-Face:** EN558-1: PN16/PN40, ANSI-B16.10: ANSI#150/300
- **Material:** S/S; EN10213-4:1.4408; ASTM A351-CF8M
C/S; EN10213-1:1.0619; ASTM A216-WCB
- **Flange:** EN1092-1: PN16/PN40
ANSI-B16.5 Class 150/300 (EN1759-1)
- **Testing:** According to EN12266-1,2 (API-598)
- **Certificate:** EN10204-3.1B
- **Temp.:** -10°C to 200°C (-50°F to 400°F)
- **Seat/Seal:** PTFE (Virgin Pure PTFE)
- **Stem:** S/S316 Blow-out Proof with Anti-Static Device
- **OPTIONS:** Gear Operator or Pneumatic Actuator
Graphite Stem Packing & Gasket
TFM1600 Seat Available



BS-6755
Certified 
DJV-2FB (Full Bore)
DJV-2FH (Full Bore)
 For 5" ~ 10"
Disc-Spring Loaded



Test Pressure		
Test	Class 150	Class 300
Shell by water	435 PSIG	1125 PSIG
Seat by water	319 PSIG	825 PSIG
Seat by air	100 PSIG	100 PSIG



DIMSION: DIN-PN16 for DJV-2FB, DJV-2FH

DN	d	C	D	g	t	f	h	n	H	P	O	L	ISO-5211	WT (KG)	TQ (N.m)
125	125	210	250	188	22	3	18	8	500	90.5	27	325	F12	66	170
150	150	240	285	212	22	3	22	8	500	90.5	27	350	F12	100	280
200	200	295	340	268	24	3	22	12	540	100	36	400	F12	166	300
250	250	355	405	320	26	3	26	12	540	100	36	450	F14	260	450

DIMSION: DIN-PN40 for DJV-2FB, DJV-2FH

DN	d	C	D	g	t	f	h	n	H	P	O	L	ISO-5211	WT (KG)	TQ (N.m)
125	125	220	270	188	26	3	26	8	500	90.5	27	325	F12	76	170
150	150	250	300	218	28	3	26	8	500	90.5	27	350	F12	120	280
200	200	320	375	285	34	3	30	12	540	100	36	400	F12	200	300
250	250	385	450	345	38	3	33	12	540	100	36	450	F14	300	450

DIMESION (mm): ANSI-150# for DJV-2FB, DJV-2FH

INCH	d	C	D	g	t	f	h	n	H	P	O	L	ISO-5211	WT (KG)	TQ (N.m)
5"	125	215.9	254	185.7	23.8	1.5	22.2	8	500	90.5	27	356	F12	73	170
6"	150	241.3	279	215.9	25.4	1.5	22.2	8	500	90.5	27	394	F12	110	280
8"	200	298.4	343	269.9	28.4	1.5	22.2	8	540	100	36	457	F12	180	300
10"	250	362	406	323.8	30.2	1.5	25.4	12	540	100	36	533	F14	280	450

DIMESION (mm): ANSI-300# for DJV-2FB, DJV-2FH

INCH	d	C	D	g	t	f	h	n	H	P	O	L	ISO-5211	WT (KG)	TQ (N.m)
5"	125	235	279	185.7	35.1	1.5	22.2	8	500	90.5	27	381	F12	80	170
6"	150	269.9	318	215.9	36.5	1.5	22.2	12	500	90.5	27	403	F12	125	280
8"	200	330.2	381	269.9	41.1	1.5	25.4	12	540	100	36	502	F12	210	300
10"	250	387.4	444	323.8	47.6	1.5	28.6	16	540	100	36	568	F14	310	450

MATERIAL LIST

NO.	PART	MATERIAL	Q'TY
1	Body	1.4408/CF8M	1
2	Cap	1.4408/CF8M	1
3	Ball - Relief Hole	1.4408/CF8M	1
4	Seat	15% R-PTFE	2
5	Stem Packing	PTFE	2
6	Stopper & Lock	1.4301/SS304	2
7	Hex Cap Screw	1.4301/SS304	8-12
8	Seal	PTFE	1
9	Stopper Pin	1.4301/SS304	1
10	Gland Ring	1.4401/SS316	1
11	Handle	FCD-45/GGG40	1
12	Thrust Washer	PTFE	1
13	Bellville Disc	1.4310/SS301	1
14	Stem	1.4401/SS316	1
15	Stem Nut	1.4401/SS316	1
16	Nut Stopper	1.4301/SS304	1
17	Adaptor	1.4301/SS304	1
18	Bracket	1.4301/SS304	1
19	Gear Operator	FCD-45/GGG40	1