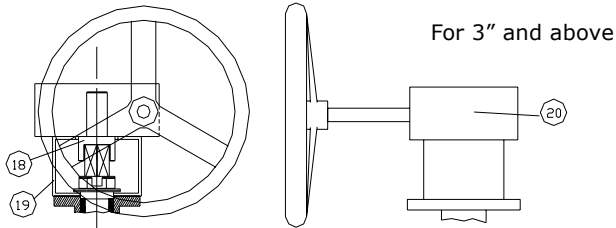


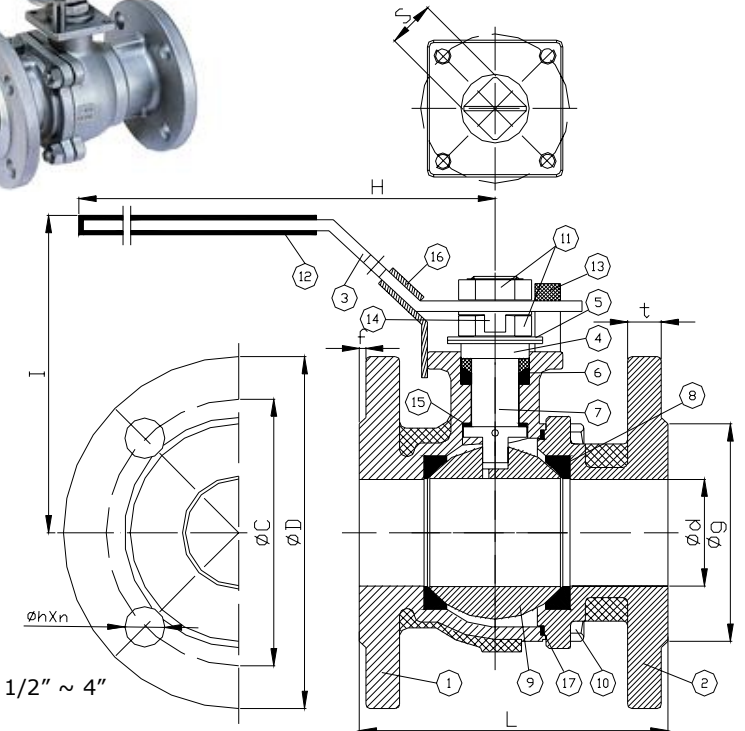
- FEATURE:** Firesafe Design Ball Valve, ISO-5211 Square Stem
- Design:** EN12516-1:2000, ASME B16.34
- Face-Face:** EN558-1, ANSI-B16.10
- Material:** S/S; EN10213-4:1.4408; ASTM A351-CF8M
C/S; EN10213-1:1.0619; ASTM A216-WCB
- Flange:** **EN1092-1: PN16/PN40**
ANSI-B16.5 Class 150/300 (EN1759-1)
- Testing:** According to EN12266-1,2 (API-598)
- Certificate:** EN10204-3.1B
- Temp.:** -10°C to 200°C (-50°F to 400°F)
- Seat/Seal:** PTFE (Virgin Pure PTFE)
- Stem:** S/S316 Blow-out Proof with Anti-Static Device
- OPTIONS:** Padlocking Device, Gear Operator or Pneumatic Actuator
TFM1600 Seat Available



DJV-2FC (Full Bore)



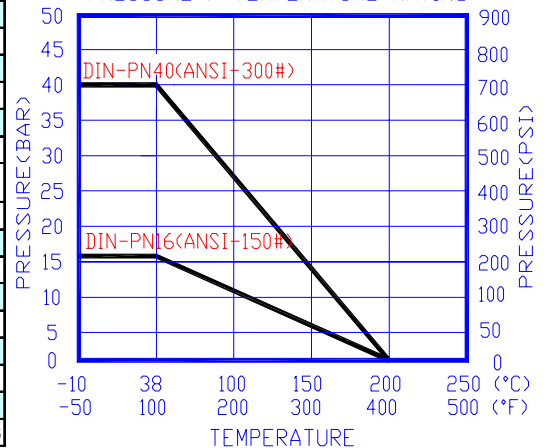
| Test | Class 150 | Class 300 |
|----------------|-----------|-----------|
| Shell by water | 435 PSIG | 1125 PSIG |
| Seat by water | 319 PSIG | 825 PSIG |
| Seat by air | 100 PSIG | 100 PSIG |



| DIMENSION: DIN-PN16 | | | | | | | | | | | | | | | | |
|---|-----|-----|-------|-------|------|-----|------|---|-----|-----|-----|------|----------|----------|----------|----------|
| DN | d | D | C | g | t | f | h | n | H | I | L | | S | ISO-5211 | WT (KG) | TQ (N.m) |
| | | | | | | | | | | | GR1 | GR27 | | | | |
| For DN15 to DN80 Please See Dimension of PN40 | | | | | | | | | | | | | | | | |
| 100 | 100 | 220 | 180 | 158 | 20 | 3 | 18 | 8 | 373 | 204 | 350 | 190 | 22 | F10 | 29.7 | 90 |
| DIMENSION: DIN-PN40 | | | | | | | | | | | | | | | | |
| 15 | 15 | 95 | 65 | 45 | 16 | 2 | 14 | 4 | 160 | 87 | 130 | 115 | 11 | F04 | 2.25 | 5 |
| 20 | 20 | 105 | 75 | 58 | 18 | 2 | 14 | 4 | 160 | 94 | 150 | 120 | 11 | F04 | 3.1 | 5 |
| 25 | 25 | 115 | 85 | 68 | 18 | 2 | 14 | 4 | 171 | 103 | 160 | 125 | 14 | F05 | 4.25 | 12 |
| 32 | 32 | 140 | 100 | 78 | 18 | 2 | 18 | 4 | 217 | 118 | 180 | 130 | 14 | F05 | 6.05 | 17 |
| 40 | 38 | 150 | 110 | 88 | 18 | 3 | 18 | 4 | 217 | 123 | 200 | 140 | 14 | F05 | 7.4 | 18 |
| 50 | 50 | 165 | 125 | 102 | 20 | 3 | 18 | 4 | 293 | 148 | 230 | 150 | 17 | F07 | 12.3 | 20 |
| 65 | 65 | 185 | 145 | 122 | 22 | 3 | 18 | 8 | 293 | 156 | 290 | 170 | 17 | F07 | 16.15 | 45 |
| 80 | 80 | 200 | 160 | 138 | 24 | 3 | 18 | 8 | 373 | 204 | 310 | 180 | 22 | F10 | 20.59 | 60 |
| 100 | 100 | 235 | 190 | 162 | 24 | 3 | 22 | 8 | 372 | 200 | 350 | 190 | 22 | F10 | 2.25 | 5 |
| DIMENSIONS (mm): ANSI-150# | | | | | | | | | | | | | | | | |
| INCH | d | D | C | g | t | f | h | n | H | I | L | S | ISO-5211 | WT (KG) | TQ (N.m) | |
| 1/2" | 15 | 89 | 60.3 | 34.9 | 11.1 | 1.5 | 15.9 | 4 | 160 | 87 | 108 | 8 | F04 | 1.65 | 5 | |
| 3/4" | 20 | 98 | 69.8 | 42.9 | 11.1 | 1.5 | 15.9 | 4 | 160 | 94 | 117 | 8 | F04 | 2.15 | 5 | |
| 1" | 25 | 108 | 79.4 | 50.8 | 11.1 | 1.5 | 15.9 | 4 | 171 | 103 | 127 | 10 | F05 | 3.05 | 12 | |
| 1-1/4" | 32 | 117 | 88.9 | 63.5 | 12.7 | 1.5 | 15.9 | 4 | 217 | 118 | 140 | 10 | F05 | 4.40 | 17 | |
| 1-1/2" | 38 | 127 | 98.4 | 73 | 14.3 | 1.5 | 15.9 | 4 | 217 | 123 | 165 | 10 | F05 | 5.45 | 18 | |
| 2" | 50 | 152 | 120.6 | 92.1 | 15.7 | 1.5 | 19 | 4 | 293 | 148 | 178 | 14 | F07 | 9.95 | 20 | |
| 2-1/2" | 65 | 178 | 139.7 | 104.8 | 17.5 | 1.5 | 19 | 4 | 293 | 156 | 190 | 14 | F07 | 13.55 | 45 | |
| 3" | 80 | 190 | 152.4 | 127 | 19.1 | 1.5 | 19 | 4 | 373 | 204 | 203 | 19 | F10 | 20.1 | 60 | |
| 4" | 100 | 229 | 190.5 | 157.2 | 23.8 | 1.5 | 19 | 8 | 373 | 204 | 229 | 19 | F10 | 29.35 | 90 | |
| DIMENSIONS (mm): ANSI-300# | | | | | | | | | | | | | | | | |
| 1/2" | 15 | 95 | 66.7 | 34.9 | 14.3 | 1.5 | 15.9 | 4 | 160 | 87 | 140 | 8 | F04 | 2.05 | 6 | |
| 3/4" | 20 | 117 | 82.6 | 42.9 | 15.7 | 1.5 | 19 | 4 | 160 | 94 | 152 | 8 | F04 | 2.9 | 6 | |
| 1" | 25 | 124 | 88.9 | 50.8 | 17.5 | 1.5 | 19 | 4 | 171 | 103 | 165 | 10 | F05 | 3.7 | 20 | |
| 1-1/4" | 32 | 133 | 98.4 | 63.5 | 19.1 | 1.5 | 19 | 4 | 217 | 118 | 178 | 10 | F05 | 5.65 | 27.5 | |
| 1-1/2" | 38 | 156 | 114.3 | 73 | 20.6 | 1.5 | 22.2 | 4 | 217 | 123 | 190 | 10 | F05 | 7.05 | 40 | |
| 2" | 50 | 165 | 127 | 92.1 | 22.4 | 1.5 | 19 | 8 | 293 | 148 | 216 | 14 | F07 | 12.9 | 50 | |
| 2-1/2" | 65 | 190 | 149.2 | 104.8 | 25.4 | 1.5 | 22.2 | 8 | 293 | 156 | 241 | 14 | F07 | 16.15 | 60 | |
| 3" | 80 | 210 | 168.3 | 127 | 28.4 | 1.5 | 22.2 | 8 | 373 | 204 | 283 | 19 | F10 | 23 | 90 | |
| 4" | 100 | 254 | 200 | 157.2 | 31.8 | 1.5 | 22.2 | 8 | 373 | 204 | 305 | 19 | F10 | 35 | 132.6 | |

| MATERIAL LIST | | | |
|---------------|--------------------|-----------------|------|
| NO. | PART | MATERIAL | Q'TY |
| 1 | Body | 1.4408/CF8M | 1 |
| 2 | Cap | 1.4408/CF8M | 1 |
| 3 | Locking Handle | 1.4301/SS304 | 1 |
| 4 | Gland Ring | 1.4401/A276-316 | 1 |
| 5 | Belleville Disc | S/S301 | 2 |
| 6 | Stem Packing | PTFE | 2 |
| 7 | Anti-static Stem | 1.4401/A276-316 | 1 |
| 8 | Seat | PTFE | 2 |
| 9 | Ball - Relief Hole | 1.4408/CF8M | 1 |
| 10 | Hex Cap Screw | 1.4301/SS304 | 4~8 |
| 11 | Stem Nut | A2-70/A194 8A | 2 |
| 12 | Handle Sleeve | Plastic | 1 |
| 13 | Stop Pin | 1.4301/SS304 | 1 |
| 14 | Nut Stopper | 1.4301/SS304 | 1 |
| 15 | Thrust Washer | PTFE | 1 |
| 16 | Locking Device | 1.4301/SS304 | 1 |
| 17 | Seal | PTFE | 1 |
| 18 | Adaptor | 1.4301/SS304 | 1 |
| 19 | Bracket | 1.4301/SS304 | 1 |
| 20 | Gear Operator | FCD-45/GGG45 | 1 |

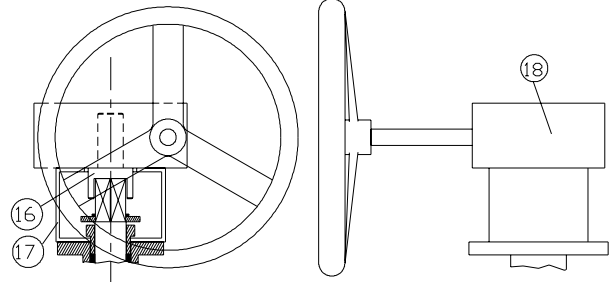
PRESSURE / TEMPERATURE RATING



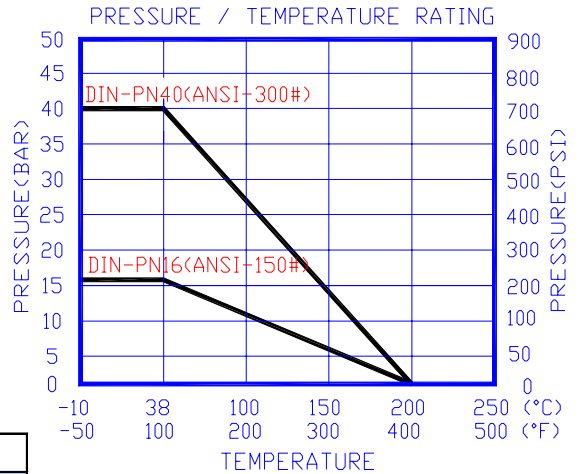
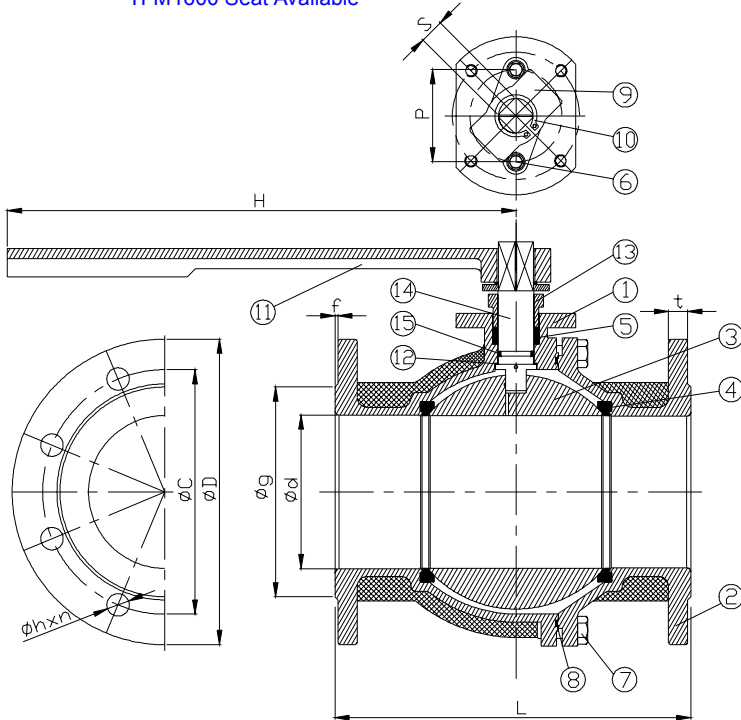
- **FEATURE:** Large Flanged Firesafe-Design Ball Valve
- **Design:** EN12516-1:2000 (PN16/PN40), ASME B16.34: ANSI#150/300
- **Face-Face:** EN558-1: PN16/PN40, ANSI-B16.10: ANSI#150/300
- **Material:** S/S; EN10213-4:1.4408; ASTM A351-CF8M
C/S; EN10213-1:1.0619; ASTM A216-WCB
- **Flange:** **EN1092-1: PN16/PN40**
ANSI-B16.5 Class 150/300 (EN1759-1)
- **Testing:** According to EN12266-1,2 (API-598)
- **Certificate:** EN10204-3.1B
- **Temp.:** -10°C to 200°C (-50°F to 400°F)
- **Seat/Seal:** PTFE (Virgin Pure PTFE)
- **Stem:** S/S316 Blow-out Proof with Anti-Static Device
- **OPTIONS:** Gear Operator or Pneumatic Actuator
Graphite Stem Packing & Gasket
TFM1600 Seat Available



JV-2FC (Full Bore)
 For 5" ~ 10"
ISO-5211 Square Stem



| Test Pressure | | |
|----------------|-----------|-----------|
| Test | Class 150 | Class 300 |
| Shell by water | 435 PSIG | 1125 PSIG |
| Seat by water | 319 PSIG | 825 PSIG |
| Seat by air | 100 PSIG | 100 PSIG |



| DIMENSION (mm): DIN-PN16 | | | | | | | | | | | | | | | |
|--------------------------|-----|-----|-----|-----|----|---|----|----|-----|------|----|-----|----------|---------|----------|
| DN | d | C | D | g | t | f | h | n | H | P | S | L | ISO-5211 | WT (KG) | TQ (N.m) |
| 125 | 125 | 210 | 250 | 188 | 22 | 3 | 18 | 8 | 500 | 90.5 | 26 | 325 | F12 | 55.2 | 170 |
| 150 | 150 | 240 | 285 | 212 | 22 | 3 | 22 | 8 | 500 | 90.5 | 26 | 350 | F12 | 82.8 | 280 |
| 200 | 200 | 295 | 340 | 268 | 24 | 3 | 22 | 12 | 540 | 100 | 32 | 400 | F12 | 138 | 300 |
| 250 | 250 | 355 | 405 | 320 | 26 | 3 | 26 | 12 | 540 | 100 | 32 | 450 | F14 | 216 | 450 |

| DIMENSION (mm): DIN-PN40 | | | | | | | | | | | | | | | |
|--------------------------|-----|-----|-----|-----|----|---|----|----|-----|------|----|-----|----------|---------|----------|
| DN | d | C | D | g | t | f | h | n | H | P | S | L | ISO-5211 | WT (KG) | TQ (N.m) |
| 125 | 125 | 220 | 270 | 188 | 26 | 3 | 26 | 8 | 500 | 90.5 | 26 | 325 | F12 | 70 | 170 |
| 150 | 150 | 250 | 300 | 218 | 28 | 3 | 26 | 8 | 500 | 90.5 | 26 | 350 | F12 | 100 | 280 |
| 200 | 200 | 320 | 375 | 285 | 34 | 3 | 30 | 12 | 540 | 100 | 32 | 400 | F12 | 166 | 300 |

| DIMENSION (mm): ANSI-150# | | | | | | | | | | | | | | | |
|---------------------------|-----|-------|-----|-------|------|-----|------|----|-----|------|----|-----|----------|---------|----------|
| INCH | d | C | D | g | t | f | h | n | H | P | S | L | ISO-5211 | WT (KG) | TQ (N.m) |
| 5" | 125 | 215.9 | 254 | 185.7 | 23.8 | 1.5 | 22.2 | 8 | 500 | 90.5 | 26 | 356 | F12 | 57.6 | 170 |
| 6" | 150 | 241.3 | 279 | 215.9 | 25.4 | 1.5 | 22.2 | 8 | 500 | 90.5 | 26 | 394 | F12 | 84 | 280 |
| 8" | 200 | 298.4 | 343 | 269.9 | 28.4 | 1.5 | 22.2 | 8 | 540 | 100 | 32 | 457 | F12 | 156 | 300 |
| 10" | 250 | 362 | 406 | 323.8 | 30.2 | 1.5 | 25.4 | 12 | 540 | 100 | 32 | 533 | F14 | 203 | 450 |

| DIMENSION (mm): ANSI-300# | | | | | | | | | | | | | | | |
|---------------------------|-----|-------|-----|-------|------|-----|------|----|-----|------|----|-----|----------|---------|----------|
| INCH | d | C | D | g | t | f | h | n | H | P | S | L | ISO-5211 | WT (KG) | TQ (N.m) |
| 5" | 125 | 235 | 279 | 185.7 | 35.1 | 1.5 | 22.2 | 8 | 500 | 90.5 | 26 | 381 | F12 | 72 | 170 |
| 6" | 150 | 269.9 | 318 | 215.9 | 36.5 | 1.5 | 22.2 | 12 | 500 | 90.5 | 26 | 403 | F12 | 103.2 | 280 |
| 8" | 200 | 330.2 | 381 | 269.9 | 41.1 | 1.5 | 25.4 | 12 | 540 | 100 | 32 | 502 | F12 | 198 | 300 |

| MATERIAL LIST | | | |
|---------------|--------------------|--------------|------|
| NO. | PART | MATERIAL | Q'TY |
| 1 | Body | 1.4408/CF8M | 1 |
| 2 | Cap | 1.4408/CF8M | 1 |
| 3 | Ball - Relief Hole | 1.4408/CF8M | 1 |
| 4 | Seat | 15% R-PTFE | 2 |
| 5 | Stem Packing | PTFE | 2 |
| 6 | Gland Bolt | 1.4301/SS304 | 2 |
| 7 | Hex Cap Screw | 1.4301/SS304 | 8~12 |
| 8 | Seal | PTFE | 1 |
| 9 | Stopper | 1.4301/SS304 | 1 |
| 10 | Retaining Ring | 1.4301/SS304 | 1 |
| 11 | Handle | FCD-45/GGG40 | 1 |
| 12 | Thrust Washer | PTFE | 1 |
| 13 | Gland | 1.4301/SS304 | 1 |
| 14 | Anti-Static Stem | 1.4401/SS316 | 1 |
| 15 | O-Ring | Viton | 1 |
| 16 | Adaptor | 1.4301/SS304 | 1 |
| 17 | Bracket | 1.4301/SS304 | 1 |
| 18 | Gear Operator | FCD-45/GGG40 | 1 |