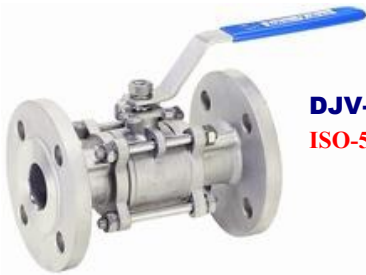


- **Design:** EN12516-1:2000, ASME B16.34
- **Face-Face:** EN558-1 GR. 1/27 Length, ANSI-B16.10
- **Material:** S/S; EN10213-4:1.4408; ASTM A351-CF8M  
C/S; EN10213-1:1.0619; ASTM A216-WCB
- **Flange:** **EN1092-1: PN16/PN40**  
**ANSI-B16.5 Class 150/300** (EN1759-1)
- **Testing:** According to EN12266-1,2 (API-598)
- **Certificate:** EN10204-3.1B
- **Temp.:** -10°C to 200°C (-50°F to 400°F)
- **Seat:** 15% R-PTFE (Reinforced Glassfiber)
- **Stem:** S/S316 Blow-out Proof with Anti-Static Device
- **OPTIONS:** Gear Operator or Pneumatic Actuator

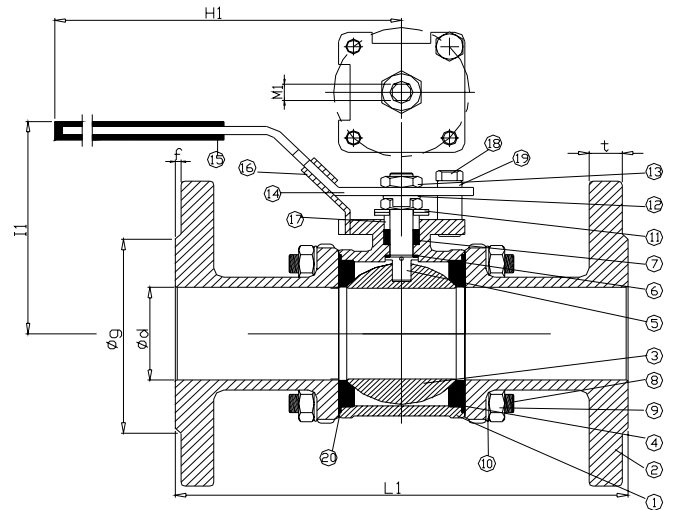
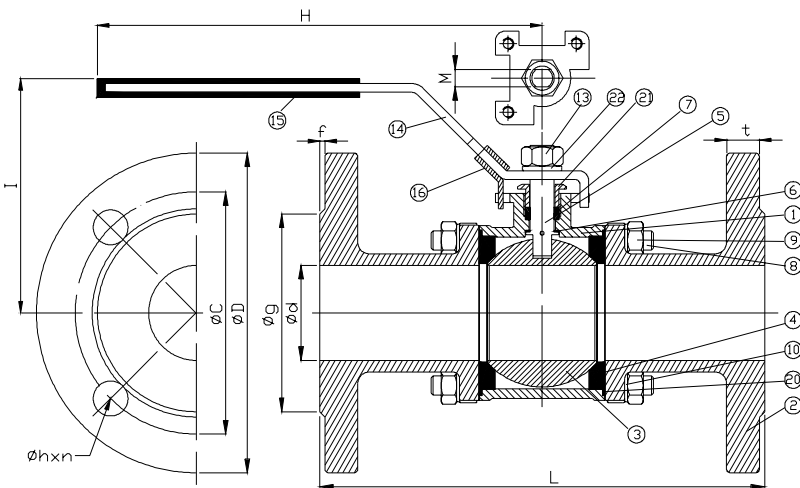
NO.	PART	MATERIAL	Q'TY	NO.	PART	MATERIAL	Q'TY
1	Body	CF8M/1.4408	1	12	Nut Stopper	S/S304	1
2	Cap	CF8M/1.4408	2	13	Stem Nut	S/S304	2
3	Ball	S/S316	1	14	Handle	S/S304	1
4	Seat	RPTFE	2	15	Handle Sleeve	Plastic	1
5	Anti-Static Stem	S/S316	1	16	Locking Device	S/S304	1
6	Thrust Washer	PTFE	1	17	Gland Ring	S/S301	1
7	Stem Packing	PTFE	2	18	Hex Cap Screw	S/S304	1
8	Bolt	S/S304	4~6	19	Stop Pin	S/S304	1
9	Hex Nut	S/S304	4~12	20	Seal	PTFE	2
10	Bolt Washer	S/S304	4~12	21	Gland Nut	S/S304	1
11	Belleville Disc	S/S304	2	22	Stem Washer	S/S304	1



**DJV-9301NF**  
ISO-5211 Top Flange



**DJV-9301NCF**  
ISO-5211 Top Flange,  
Disc-Spring Loaded



INCH	d (DN)	D	C	g	t	f	h	n	H	l	L	M	ISO-5211	WT (KG)	TQ (N.m)
1/2"	15	89	60.3	34.9	11.1	1.5	15.9	4	140	86	130	6.5	F04	1.55	5
3/4"	20	98	69.8	42.9	11.1	1.5	15.9	4	140	86	150	6.5	F04	1.95	10
1"	25	108	79.4	50.8	11.1	1.5	15.9	4	170	106	160	8	F04	2.57	11
1-1/4"	32	117	88.9	63.5	12.7	1.5	15.9	4	170	114	180	8	F04	3.84	20
1-1/2"	40	127	98.4	73	14.3	1.5	15.9	4	230	116	200	9	F05	5.19	26
2"	50	152	120.6	92.1	15.7	1.5	19	4	230	136	230	9	F05	8.26	30
2-1/2"	65	178	139.7	104.8	17.5	1.5	19	4	290	150	290	12	F07	15.09	70
3"	80	190	152.4	127	19.1	1.5	19	4	290	185	310	12	F07	20.15	90
4"	100	229	190.5	157.2	23.8	1.5	19	8	285	200	350	16	F10	33.81	120

1/2"	3/4"	1"	1-1/4"	1-1/2"	2"	2-1/2"	3"	4"(PN40)	4"(PN16)
15	20	25	32	40	50	65	80	100	100
95	105	115	140	150	165	185	200	235	220
65	75	85	100	110	125	145	160	190	180
45	58	68	78	88	102	122	138	162	158
14	16	16	16	16	18	18	20	24	20
2	2	2	2	3	3	3	3	3	3
14	14	14	18	18	18	18	18	22	18
4	4	4	4	4	4	4	4	8	8
137	137	167	167	228	228	287	287	282	282
80	85	92	96	112	121	179	186	184	184
130	150	160	180	200	230	290	310	350	350
6.5	6.5	8	8	9	9	12	12	16	16
F04	F04	F04	F04	F05	F05	F07	F07	F10	F10
2.1	2.72	3.64	5.42	6.97	9.24	16.37	20.35	30.6	35.45
5	10	11	20	26	30	70	90	120	120

H1	l1	M1	L1	ISO-5211	WT (KG)	TQ (N.m)
133	65	5	130	F04	1.55	5
133	71	7	150	F04	1.95	10
164	78	7	160	F05	2.57	11
164	84	7	180	F05	3.84	20
201	102	9	200	F05	5.19	26
214	110	9	230	F07	8.26	30
274	155	12	290	F07	15.09	70
369	162	12	310	F10	20.15	90
373	193	16	350	F10	33.81	120

1/2"	3/4"	1"	1-1/4"	1-1/2"	2"	2-1/2"	3"	4"(PN40)	4"(PN16)
15	20	25	32	40	50	65	80	100	100
95	105	115	140	150	165	185	200	235	220
65	75	85	100	110	125	145	160	190	180
45	58	68	78	88	102	122	138	162	158
14	16	16	16	16	18	18	20	24	20
2	2	2	2	3	3	3	3	3	3
14	14	14	18	18	18	18	18	22	18
4	4	4	4	4	4	4	4	8	8
137	137	167	167	228	228	287	287	282	282
80	85	92	96	112	121	179	186	184	184
130	150	160	180	200	230	290	310	350	350
6.5	6.5	8	8	9	9	12	12	16	16
F04	F04	F04	F04	F05	F05	F07	F07	F10	F10
2.1	2.72	3.64	5.42	6.97	9.24	16.37	20.35	30.6	35.45
5	10	11	20	26	30	70	90	120	120