

- **Port Bore:** T-port & L-port Available
- **Design:** EN12516-1:2000, ASME B16.34
- **Material:** S/S; EN10213-4:1.4408; ASTM A351-CF8M
C/S; EN10213-1:1.0619; ASTM A216-WCB
- **Flange:** See Below
- **Testing:** According to EN12266-1,2 (API-598)
- **Certificate:** EN10204-3.1B
- **Temp.:** -10°C to 200°C (-50°F to 400°F)
- **Seat:** PTFE (Virgin Pure PTFE)
- **Stem:** S/S316 Blow-out Proof Square Stem
- **OPTIONS:** Gear Operator or Pneumatic Actuator

MATERIAL LIST			
NO.	PART	MATERIAL	Q'TY
1	Body	CF8M/1.4408	1
2	Cap	CF8M/1.4408	3
3	Ball	S/S316	1
4	Seat	RPTFE/PTFE	4
5	Stem Packing	PTFE	2
6	Gland Nut	S/S304	1
7	Hex Cap Screw	S/S304	1 (20)
8	Seal	PTFE	4 (3)
9	Anti-Static Stem	S/S316	1
10	Handle	S/S304	1
11	Stop Pin	S/S304	1
12	Locking Device	S/S304	1
13	Thrust Washer	PTFE	1
14	Handle Sleeve	Plastic	1
15	Handle Ring	S/S304	1
16	Stopper	S/S304	1
17	Retaining Ring	S/S304	2
18	Ball with Stem	S/S316	1
19	Screws	S/S304	2



DJV-9308 (Full Bore)
Trunnion Ball Design, Multiple Packings, One-Piece Ball & Stem, Square Stem, 360° Rotation



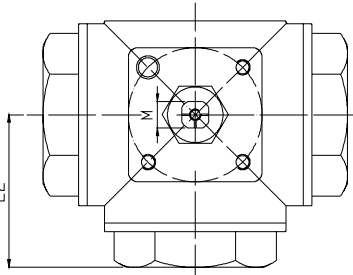
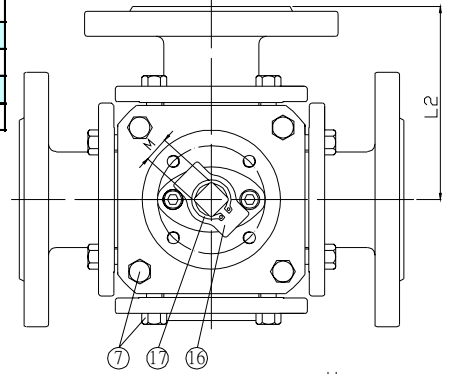
DJV-9203 (Standard Bore)
ISO-5211 Top Flange & Square Stem, 4 Pcs of RPTFE Seats, 360° Rotation

Pressure Rating for **DJV-9203:**

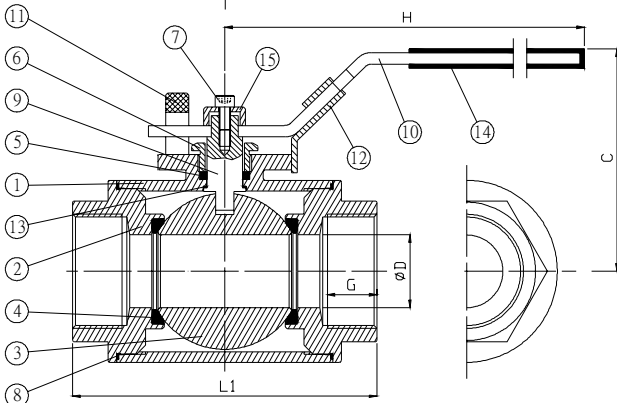
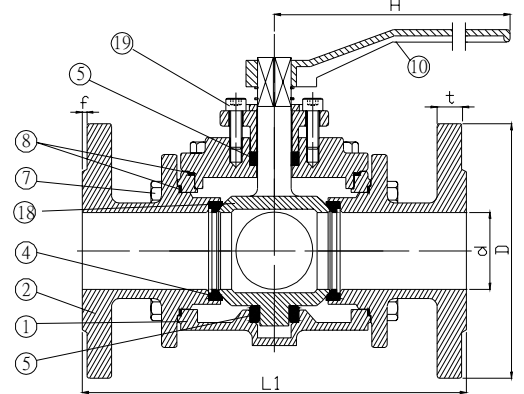
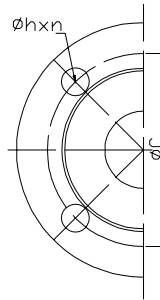
1000PSI (PN63) for 1/4" to 1-1/2"
1000PSI (PN40) for 2"

Flange Dimension for **DJV-9308:**

B16.5: ANSI-Class 150
EN1092-1: PN16/PN40



PORT TYPE	1	2	3	4
L				
T				



DIMENSIONS (mm) for DJV-9203										
Size	C	D	G	H	L1	L2	M	ISO-5211	WT (KG)	TQ (N.m)
1/4"	53.4	11	17	147	77.8	38.9	9	F04	0.85	8
3/8"	53.4	11	17	147	77.8	38.9	9	F04	0.85	8
1/2"	53.4	11	17	147	77.8	38.9	9	F04	0.75	8
3/4"	63.3	15	18	191	85.5	42.8	9	F05	1.31	10
1"	76.6	20	22	191	106.1	53.1	9	F05	1.75	14
1-1/4"	78.1	25	21	230	123.1	61.6	11	F05	2.80	25
1-1/2"	82	32	23	245	131.1	65.6	11	F07	3.85	40
2"	87.8	38	26	245	159.4	79.7	14	F07	7.50	70

DIMENSIONS (mm) for DJV-9308: ANSI-150#														
INCH	d	C	D	H	L1	L2	M	t	f	h	n	ISO-5211	WT (KG)	TQ (Nm)
1"	25	79.4	108	170	214	107	14	11.1	1.5	15.9	4	F05	11.5	40
1-1/2"	40	98.4	127	170	242	121	17	14.3	1.5	15.9	4	F05	13.6	50
2"	50	121	152	225	250	125	17	15.7	1.5	19	4	F07	20.5	75
2-1/2"	65	140	178	225	285	142.5	22	17.5	1.5	19	4	F10	30.5	120
3"	80	152	190	330	295	148.5	22	19.1	1.5	19	4	F10	40.5	180
4"	100	191	229	330	339	169.5	22	23.8	1.5	19	8	F10	61	210

DIMENSIONS (mm): DIN-PN16														
INCH	d	C	D	H	L1	L2	M	t	f	h	n	ISO-5211	WT (KG)	TQ (Nm)
1"	25	85	115	170	225	112.5	14	18	2	14	4	F05	13	40
1-1/2"	40	110	150	170	242	121	17	18	3	18	4	F05	15.1	50
2"	50	125	165	225	250	125	17	18	3	18	4	F07	22	75
2-1/2"	65	145	185	225	285	142.5	22	18	3	18	8	F10	31.5	120
3"	80	160	200	330	297	148.5	22	20	3	18	8	F10	42	180
4"	100	180	220	330	339	169.5	22	20	3	18	8	F10	61.6	210

DIMENSIONS (mm): DIN-PN40														
INCH	d	C	D	H	L1	L2	M	t	f	h	n	ISO-5211	WT (KG)	TQ (Nm)
1"	25	85	115	170	225	112.5	14	18	2	14	4	F05	13	40
1-1/2"	40	110	150	170	242	121	17	18	3	18	4	F05	15.1	50
2"	50	125	165	225	250	125	17	20	3	18	4	F07	22	75
2-1/2"	65	145	185	225	285	142.5	22	22	3	18	8	F10	31.5	120
3"	80	160	200	330	297	148.5	22	24	3	18	8	F10	42	180
4"	100	190	235	330	339	169.5	22	24	3	22	8	F10	62.5	210