

- FEATURE:** Interchangeable with W-type 44 Series
- Port Bore:** Full Bore & Standard Bore
- End:** NPT, BSPT, ISO-228 Thread, Socket Weld, Butt Weld
- Material:** S/S; ASTM A351-CF8M; EN10213-4:1.4408
C/S; ASTM A216-WCB; EN10213-1:1.0619
- Pressure:** **2000PSI** (PN130) for 1/4" to 1", 1/2"R to 1-1/4"R
1000PSI (PN63) for 1-1/4" to 3", 1-1/2"R to 4"R
- Testing:** According to API-598 (EN12266-1,2)
- Certificate:** EN10204-3.1B
- Temp.:** -50°F to 400°F (-10°C to 200°C)
- Seat/Seal:** 15% RPTFE (Reinforced Glassfiber PTFE)
- Stem:** S/S316 Blow-out Proof
- OPTIONS:** Padlocking Device, Pneumatic or Electric Actuator

NO.	PART	MATERIAL	QTY	NO.	PART	MATERIAL	QTY
1	Body	CF8M/1.4408	1	13	Nut Stopper	S/S304	1
2	Cap	CF8M/1.4408	2	14	Stem Nut	S/S304	1
3	Ball	S/S316	1	15	Locking Device	S/S304	1
4	Seat	RPTFE	2	16	Handle	S/S304	1
5	Seal	PTFE	2	17	Handle Sleeve	Plastic	1
6	Anti-Static Stem	S/S316	1	18	Bolt	S/S304	4~6
7	L. Thrust Washer	S/S316+PTFE	1	19	Bolt Washer	S/S304	4~12
8	U. Thrust Washer	TFM1600	1	20	Hex Nut	S/S304	4~12
9	Stem Packing	PTFE	3	21	Ring Washer	S/S304	1
10	Thrust Washer	S/S316+PTFE	1	22	Washer	S/S304	1
11	Gland Ring	S/S304	1	23	S. H. Cap Screw	S/S304	2
12	Belleville Disc	S/S301	2	24	Ring Washer	S/S304	1



For Small size...
Full bore: 1/4"~1-1/2"
Standard bore: 1/2"R~2"R

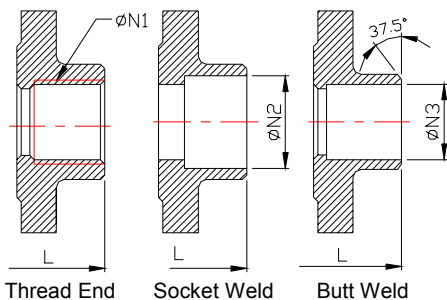
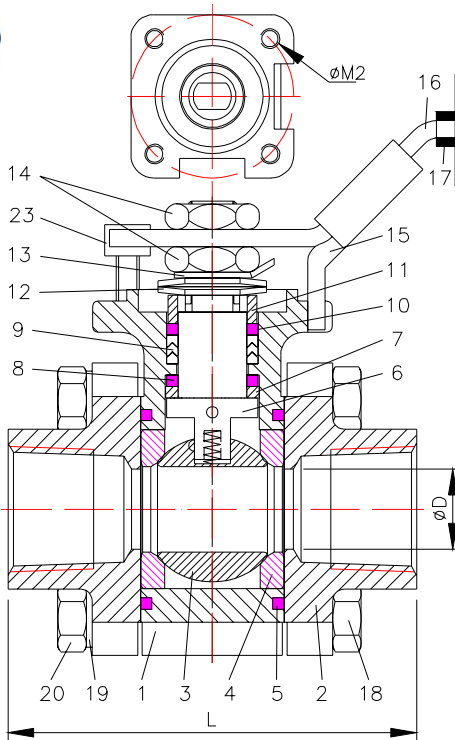
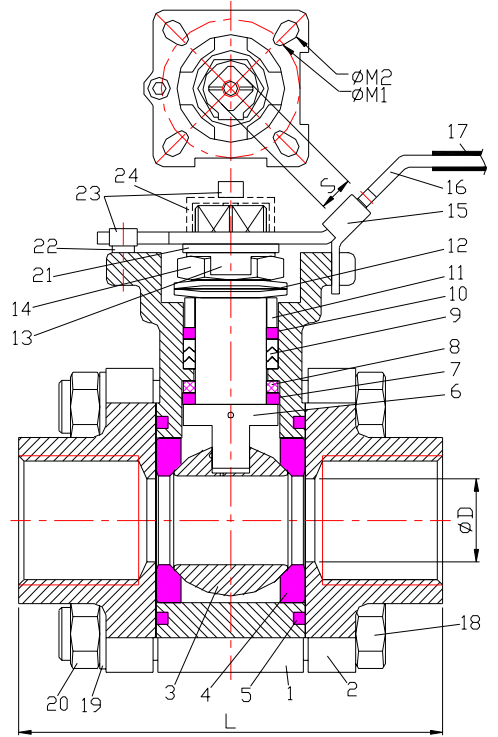
DJV-9300WK-FB (Full Bore)
DJV-9300WK-RB (Standard Bore)
Long-Neck Design
Square Stem for Direct Mounting



For Large size...
Full bore: 2"~3"
Standard bore: 2-1/2"R~4"R



DJV-9300W-FB (Full Bore)
DJV-9300W-RB (Standard Bore)
Short-Neck Design



Dime Size	D	L	M1	M2	S	N2	N3	WT (KG)	TQ (N.m)
1/4"	10.6	66.6	F03	F04	9	14.2	10	0.60	5
3/8"	12.6	66.6	F03	F04	9	17.5	12.7	0.58	5
1/2"	15	71.6	F03	F04	9	21.8	16.1	0.76	7
3/4"	20	96.6	F03	F04	9	27.4	21.4	1.48	9
1"	25.4	109	F04	F05	11	34.1	27.2	1.85	15
1-1/4"	32	117	F04	F05	11	42.7	35.1	2.92	18
1-1/2"	38	129	F05	F07	14	49	40.5	3.95	29
2"	50.8	142	F05	F07	14	61	52.7	8.0	45
2-1/2"	65	174	F07	F10	17	77	65.6	12.6	70
3"	76	193	F07	F10	17	90.2	80.5	19.5	102

Dime Size	D	L	M1	M2	S	N2	N3	WT (KG)	TQ (N.m)
1/2"R	12.6	66.6	F03	F04	9	21.8	16.1	0.58	5
3/4"R	15	71.6	F03	F04	9	27.4	21.4	0.76	7
1"R	20	96.6	F03	F04	9	34.1	27.2	1.48	9
1-1/4"R	25.4	109	F04	F05	11	42.7	35.1	1.85	15
1-1/2"R	32	117	F04	F05	11	49	40.5	2.92	18
2"R	38	129	F05	F07	14	61	52.7	3.95	29
2-1/2"R	50.8	142	F05	F07	14	77	65.6	8.0	45
3"R	65	174	F07	F10	17	90.2	80.5	12.6	70
4"R	76	193	F07	F10	17	114	102	19.5	102