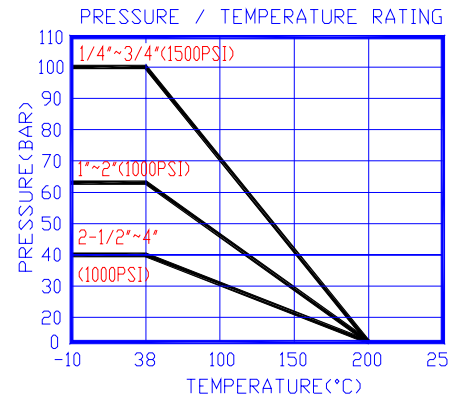


- FEATURE:** Disc-Spring Loaded, ISO-5211 Top Flange
- Port Bore:** Full Bore
- Material:** S/S; ASTM A351-CF8M; EN10213-4:1.4408
C/S; ASTM A216-WCB; EN10213-1:1.0619
- Pressure:** 1500PSI (PN100) for 1/4" to 3/4"
1000PSI (PN63) for 1" to 2"
1000PSI (PN40) for 2-1/2" to 4"
- Testing:** According to API-598 (EN12266-1,2)
- Certificate:** EN10204-3.1B
- Temp.:** -50°F to 400°F (-10°C to 200°C)
- Seat/Seal:** 15% RPTFE (Reinforced Glassfiber) / PTFE
- Stem:** S/S316 Blow-out Proof with Anti-Static Device
- OPTIONS:** Padlocking Device, Pneumatic or Electric Actuator
Seat of TFM-4215 for Steam Application
Seat of TFM-1600 for Longer Life Cycles
Metal Seat Ring for Service in Steam Application

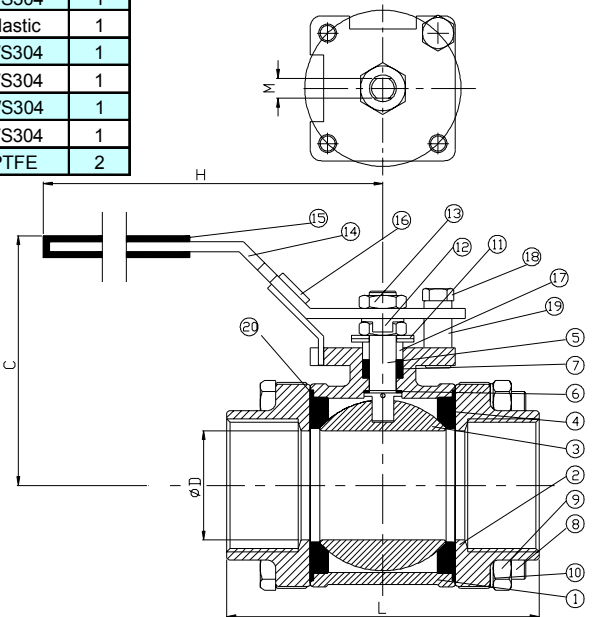
MATERIAL LIST			
NO.	PART	MATERIAL	QTY
1	Body	CF8M/1.4408	1
2	Cap	CF8M/1.4408	2
3	Ball	S/S316	1
4	Seat	RPTFE	2
5	Anti-Static Stem	S/S316	1
6	Thrust Washer	PTFE	1
7	Stem Packing	PTFE	2
8	Bolt	S/S304	4-6
9	Hex Nut	S/S304	4-12
10	Bolt Washer	S/S304	4-12
11	Belleville Disc	S/S301	2
12	Nut Stopper	S/S304	1
13	Stem Nut	S/S304	2
14	Handle	S/S304	1
15	Handle Sleeve	Plastic	1
16	Locking Device	S/S304	1
17	Gland Ring	S/S304	1
18	Hex Cap Screw	S/S304	1
19	Stop Pin	S/S304	1
20	Seal	PTFE	2



DJV-9301NC

DIN3202-M3 Length
NPT, BSPT, ISO-228 Thread

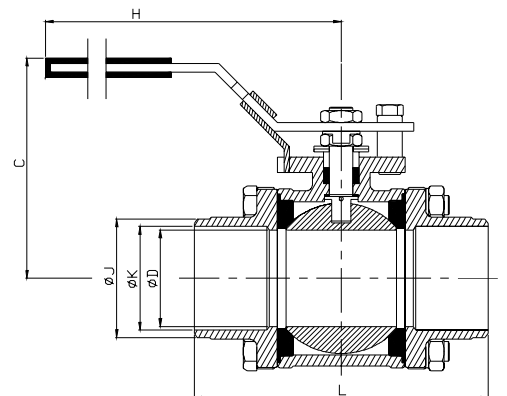
DIMENSIONS (mm)									
Dime Size	D	L	C	H	M	ISO-5211	WT (KG)	TQ (N.m)	
1/4"	12.7	50	62	116	5	F03	0.45	3	
3/8"	12.7	60	62	116	5	F03	0.45	3	
1/2"	15	75	65	133	5	F04	0.68	5	
3/4"	20	80	71	133	7	F04	0.81	10	
1"	25	90	78	165	7	F05	1.24	11	
1-1/4"	32	110	84	165	7	F05	2	20	
1-1/2"	38	120	102	201	9	F05	2.72	26	
2"	49	140	110	214	9	F07	4.34	30	
2-1/2"	65	185	155	276	12	F07	10	70	
3"	80	205	162	372	12	F10	14.30	90	
4"	100	240	193	373	16	F10	25	120	



DJV-9301NC-BW

DIN3202-S13 Length
Butt-Weld End according to EN-12627 & ISO-1127

DIMENSIONS (mm)										
Dime Size	D	L	C	H	J	K	M	ISO-5211	WT (KG)	TQ (N.m)
1/4"	12.7	70	62	116	13.5	10.6	5	F03	0.43	3
3/8"	12.7	70	62	116	17.2	12.7	5	F03	0.43	3
1/2"	15	75	65	133	21.3	16.1	5	F04	0.63	5
3/4"	20	90	71	133	26.9	21.4	7	F04	0.80	10
1"	25	100	78	165	33.7	27.2	7	F05	1.20	11
1-1/4"	32	110	84	165	42.4	35.1	7	F05	1.90	20
1-1/2"	38	125	102	201	48.3	40.5	9	F05	2.62	26
2"	49	150	110	214	60.3	52.7	9	F07	4.22	30
2-1/2"	65	190	155	276	76.1	65.6	12	F07	9.80	70
3"	80	220	162	372	88.9	80.5	12	F10	14.3	90
4"	100	240	193	373	114.3	102.3	16	F10	25	120



DJV-9301NC-SW

DIN3202-M3 Length
Socket-Weld End according to EN-12760 & ANSI-B36.19

DIMENSIONS (mm)										
Dime Size	D	L	C	H	J	G	M	ISO-5211	WT (KG)	TQ (N.m)
1/4"	12.7	50	62	116	14.4	10	5	F03	0.45	3
3/8"	12.7	60	62	116	17.8	10	5	F03	0.45	3
1/2"	15	75	65	133	22	10	5	F04	0.68	5
3/4"	20	80	71	133	27.3	13	7	F04	0.81	10
1"	25	90	78	165	34.1	13	7	F05	1.24	11
1-1/4"	32	110	84	165	42.8	13	7	F05	2.0	20
1-1/2"	38	120	102	201	48.9	13	9	F05	2.72	26
2"	49	140	110	214	61.4	16	9	F07	4.34	30
2-1/2"	65	185	155	276	77.1	16	12	F07	10.0	70
3"	80	205	162	372	90	16	12	F10	14.3	90
4"	100	240	193	373	115.5	20	16	F10	25.0	120

