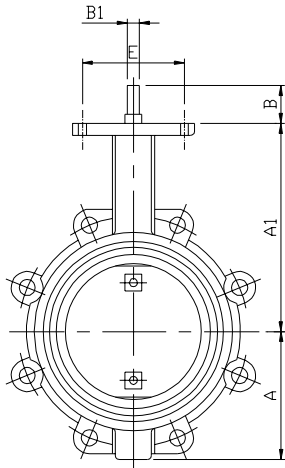
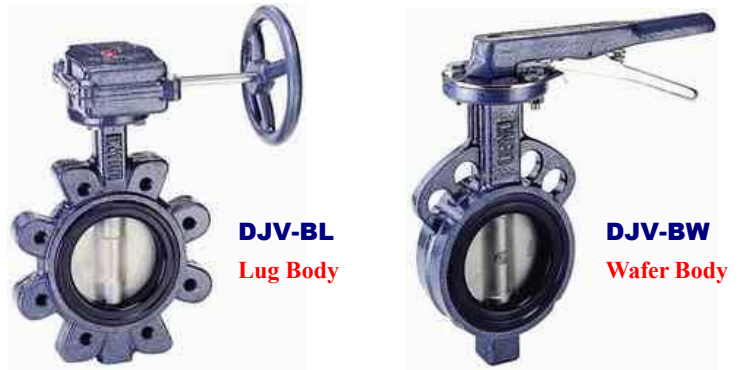
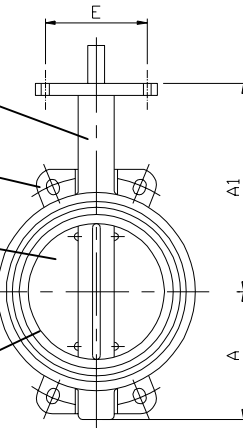
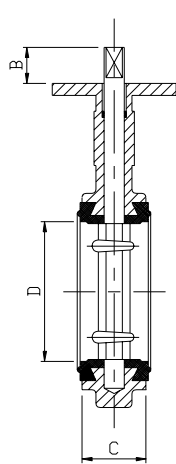


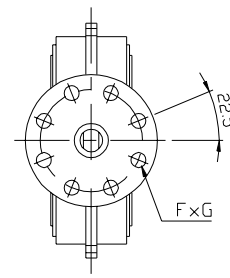
- **Face-face:** ISO-5752/5
- **Material:** FC-20 (Cast Iron), FCD-45 (Ductile Iron), CF8M (S/S316)
- **Flange:** ANSI-150#, BS10/E, JIS-10K, DIN-PN10/16
- **Disc:** FCD-45 (Ductile Iron), CF8M (S/S316), CF8 (S/S304)
- **Liner:** NBR, EPDM, Neoprene, Silicone, Hypalon, Viton
- **Testing:** According to ISO-5208
- **Certificate:** EN10204-3.1B
- **Temp.:** -50°F to 400°F (-10°C to 200°C)
- **OPTIONS:** Gear Operator or Pneumatic Actuator



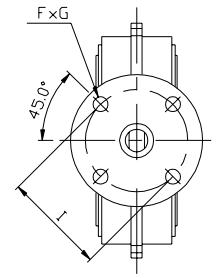
JV-BL: Lug Body



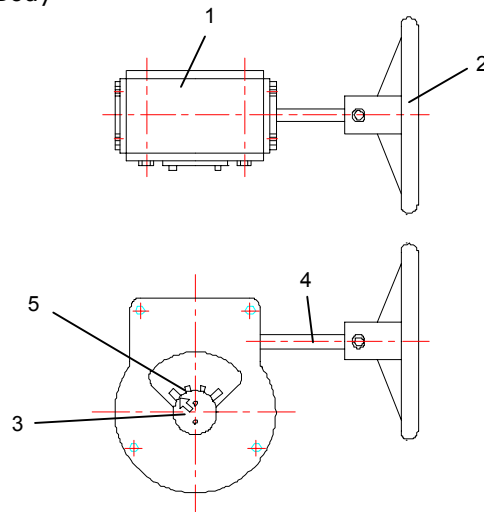
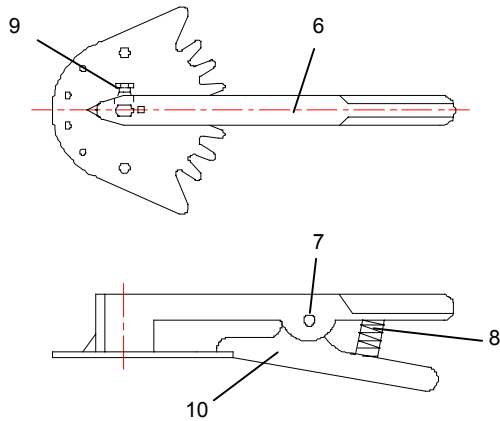
JV-BW: Wafer Body



SIZE: 20" ~ 24"



SIZE: 2" ~ 18"



DIME. (mm): for DJV-BL & DJV-BW Butterfly Valve												
INCH	MM	A	A1	B	B1	C	D	E	FXG	WT (KG)		TQ (N.m)
										Wafer	Lug	
2"	50	85	135	32	13	43	56	70	10X4	3.6	3.9	13
2-1/2"	65	90	145	32	13	46	70	70	10X4	4.1	4.4	17
3"	80	98	152	32	13	46	81	70	10X4	4.4	5.9	28
4"	100	112	170	32	16	52	103	70	10X4	6	8.4	42
5"	125	125	187	32	16	56	126	70	10X4	7.4	10.4	68
6"	150	140	200	32	16	56	149	70	10X4	8.8	12.4	88
8"	200	170	230	34	19	60	193	102	12X4	14.7	17.7	165
10"	250	207	276	34	22	68	245	102	12X4	24.7	28.7	260
12"	300	238	300	34	28	78	296	102	12X4	33.7	43.7	410
14"	350	266	355	55	32	78	330	140	19X4	50	56	560
16"	400	300	380	55	35	102	386	140	19X4	64	96	1100
18"	450	323	425	55	38	114	433	140	19X4	88	122	1380
20"	500	350	430	90	42	127	487	165	23X4	122	202	1720
24"	600	407	500	90	50	154	582	165	23X4	201	270	2020

MATERIAL LIST		
NO.	PART	MATERIAL
1	Gear Box	A536 65-45-12
2	Handwheel	A536 65-45-12
3	Cap	A105
4	Worm Shaft	SUS 304
5	Indication Plate	A105
6	Handle	FCD 45
7	Spring Pin	SK 5
8	Spring	SUP 3
9	Lock Plate	SS 41
10	Lock Handle	SS 41
11	Body	A126 Class B
12	Disc	CF8M
13	Stem	SUS 316
14	Seat	EPDM