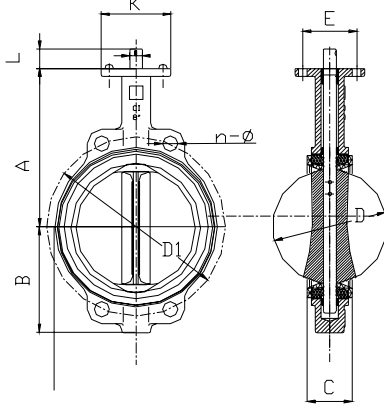


- **Face-face:** GB12238, BS5155, API609, MSS SP-76, DIN 3202-K1
- **Material:** FC-20 (Cast Iron), FCD-45 (Ductile Iron), CF8M (S/S316), Aluminum Bronze, Carbon Steel
- **Flange:** JIS-10K, BS-10E, DIN-PN10, ANSI-125
- **Disc:** FCD-45 (Ductile Iron), CF8M (S/S316), CF8 (S/S304) Aluminum Bronze, Nylon Loated & PTFE
- **Liner:** NBR, EPDM, Noeprene, Silicone, Hypalon, Viton, PTFE
- **Testing:** According to API-598 (EN12266-1,2)
- **Certificate:** EN10204-3.1B
- **Temp.:** -50°F to 400°F (-10°C to 200°C)
- **OPTIONS:** Gear Operator or Pneumatic Actuator

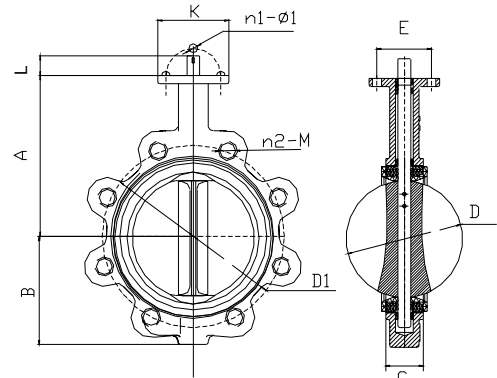


DJV-BWH
Wafer Body

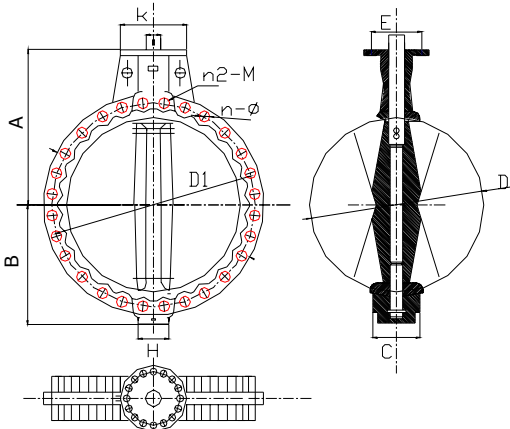
DJV-BLH
Lug Body



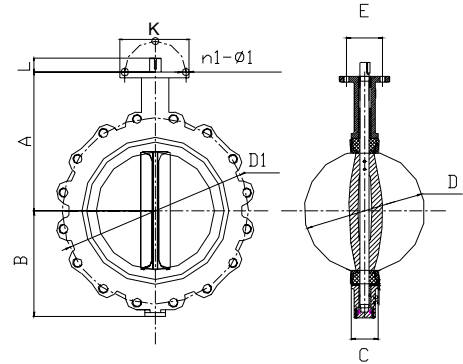
Wafer Body: 2" (DN50) ~ 24"



Lug Body: 2" (DN50) ~ 14" (DN350)



Wafer Body: 28" (DN700) ~ 40"



Lug Body: 16" (DN400) ~ 24" (DN600)

DIMENSION (mm): for Wafer Butterfly Valve

| INCH | MM | A | B | C | D | L | D1 | n-φ | K | E | WT (KG) |
|--------|------|-----|-----|------|--------|---------|---------|-------------|-----|--------|---------|
| 2" | 50 | 161 | 80 | 42 | 52.9 | 32 | 120 | 4-23.0 | 77 | 57.15 | 2.5 |
| 2-1/2" | 65 | 175 | 89 | 44.7 | 64.5 | 32 | 136.2 | 4-26.5 | 77 | 57.15 | 3.2 |
| 3" | 80 | 181 | 95 | 45.2 | 78.8 | 32 | 160 | 8-18.0 | 77 | 57.15 | 3.6 |
| 4" | 100 | 200 | 114 | 52.1 | 104 | 32 | 185 | 4-24.5 | 92 | 69.85 | 4.9 |
| 5" | 125 | 213 | 127 | 54.4 | 123.3 | 32 | 215 | 4-23.0 | 92 | 69.85 | 7 |
| 6" | 150 | 226 | 139 | 55.8 | 155.6 | 32 | 238 | 4-25.0 | 92 | 69.85 | 7.8 |
| 8" | 200 | 260 | 175 | 60.6 | 202.5 | 45 | 295 | 4-25/4-23 | 115 | 88.9 | 13.2 |
| 10" | 250 | 292 | 203 | 65.6 | 250.5 | 45 | 357 | 4-29.0 | 115 | 88.9 | 19.2 |
| 12" | 300 | 337 | 242 | 76.9 | 301.6 | 45 | 407 | 4-29.0 | 140 | 107.95 | 32.5 |
| 14" | 350 | 368 | 267 | 76.5 | 333.3 | 45 | 467 | 4-30.0 | 140 | 107.95 | 41.3 |
| 16" | 400 | 400 | 309 | 86.5 | 389.6 | 51.2/72 | 515/525 | 4-26/4-30 | 197 | 158.75 | 61 |
| 18" | 450 | 422 | 328 | 106 | 440.51 | 51.2/72 | 565/585 | 4-26/4-30 | 197 | 158.75 | 79 |
| 20" | 500 | 480 | 361 | 132 | 491.6 | 64.2/82 | 620/650 | 4-26/4-33 | 197 | 158.75 | 128 |
| 24" | 600 | 562 | 459 | 152 | 592.5 | 70.2/82 | 725/770 | 20-30/20-36 | 276 | 215.9 | 188 |
| 28" | 700 | 624 | 520 | 163 | 695 | 66/82 | 840 | 24-30/20-36 | 300 | 254 | 284 |
| 32" | 800 | 672 | 591 | 188 | 794.7 | 66/82 | 950 | 24-33/24-39 | 300 | 254 | 368 |
| 36" | 900 | 720 | 656 | 203 | 864.7 | 118 | 1050 | 24-33 | 300 | 254 | 713 |
| 40" | 1000 | 800 | 721 | 216 | 965 | 142 | 1160 | 24-36 | 300 | 254 | 864 |

DIMENSION (mm): for Lug Butterfly Valve

| INCH | MM | A | B | C | D | L | D1 | n-M | K | E | WT (KG) |
|--------|-----|-----|-----|------|-------|------------|------------|------------------|-----|-------|---------|
| 2" | 50 | 161 | 80 | 42 | 52.9 | 32 | 125 | 4-M16 | 77 | 57.15 | 3.8 |
| 2-1/2" | 65 | 175 | 89 | 44.7 | 64.5 | 32 | 145 | 4-M16 | 77 | 57.15 | 4.2 |
| 3" | 80 | 181 | 95 | 45.2 | 78.8 | 32 | 160 | 8-M16 | 77 | 57.15 | 4.7 |
| 4" | 100 | 200 | 114 | 52.1 | 104 | 32 | 180 | 8-M16 | 92 | 69.85 | 9 |
| 5" | 125 | 213 | 127 | 54.4 | 123.3 | 32 | 210 | 8-M16 | 92 | 69.85 | 10.9 |
| 6" | 150 | 226 | 139 | 55.8 | 155.6 | 32 | 240 | 8-M20 | 92 | 69.85 | 14.2 |
| 8" | 200 | 260 | 175 | 60.6 | 202.5 | 45 | 295 | 8-M20 12-M20 | 115 | 88.9 | 18.2 |
| 10" | 250 | 292 | 203 | 65.6 | 250.5 | 45 | 350 355 | 12-M20 12-M24 | 115 | 88.9 | 26.8 |
| 12" | 300 | 337 | 242 | 76.9 | 301.6 | 45 | 400 410 | 12-M20 12-M24 | 140 | 108 | 40 |
| 14" | 350 | 368 | 267 | 76.5 | 333.3 | 45 | 460 470 | 16-M20 16-M24 | 140 | 108 | 69.6 |
| 16" | 400 | 400 | 309 | 86.5 | 389.4 | 51.2 72 | 515 525 | 16-M24 16-M27 | 197 | 158.8 | 96 |
| 18" | 450 | 422 | 328 | 106 | 440.5 | 51.2 72 | 565 585 | 20-M24 20-M27 | 197 | 158.8 | 122 |
| 20" | 500 | 480 | 361 | 132 | 491.6 | 64.2 82 | 620 625 | 20-M24 20-M30 | 197 | 158.8 | 202 |
| 24" | 600 | 562 | 459 | 152 | 592.5 | 70.2 82 | 725 770 | 20-M27 20-M30 | 276 | 215.9 | 270 |