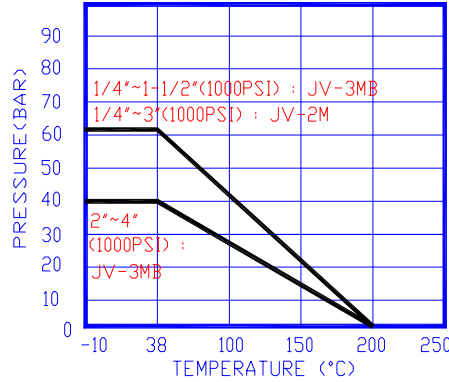
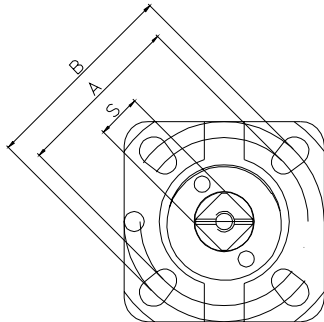


- **Port Bore:** Full Bore
- **End:** NPT, BSPT, ISO-228 Thread
- **Material:** S/S; ASTM A351-CF8M; EN10213-4:1.4408  
C/S; ASTM A216-WCB; EN10213-1:1.0619
- **Pressure:** See Below
- **Testing:** According to API-598 (EN12266-1,2)
- **Certificate:** EN10204-3.1B
- **Temp.:** -50°F to 400°F (-10°C to 200°C)
- **Seat/Seal:** PTFE (Virgin Pure PTFE)
- **Stem:** S/S316 Blow-out Proof
- **OPTIONS:** Electric or Pneumatic Actuators

**PRESSURE / TEMPERATURE RATING**



MATERIAL LIST			
NO.	PART	MATERIAL	QTY
1	Body	CF8M/1.4408	1
2	Cap	CF8M/1.4408	1~2
3	Ball	S/S316	1
4	Seat	PTFE	2
5	Seal	PTFE	2
6	Anti-Static Stem	S/S316	1
7	Thrust Washer 1	PTFE	1
8	O-Ring	Viton	1
9	Stem Packing	PTFE	1
10	Gland Ring	S/S304	1
11	Belleville Washer	S/S301	2
12	Screw Disc Plate	S/S304	1
13	Body Bolt	S/S304	4~6
14	Bolt Washer	S/S304	8~12
15	Bolt Nut	S/S304	8~12
16	Thrust Washer 2	S/S316+PTFE	1
17	Washer	S/S304	1
18	Nut Stopper	S/S304	1
19	Stem Nut	S/S304	1
20	Ring Washer	S/S304	1
21	Locking Device	S/S304	1
22	Handle	S/S304	1
23	Handle Sleeve	Plastic	1
24	Ring Washer	S/S304	1
25	Head Cap Screw	S/S304	2



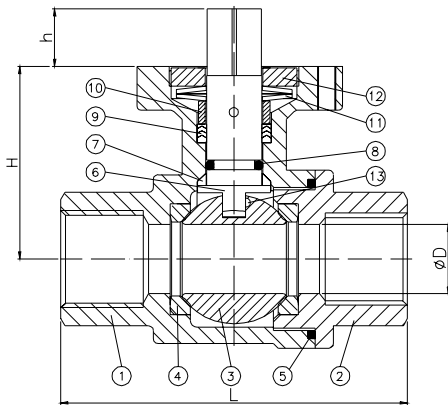
**DJV-2M**

**ISO-5211 for Direct Mounting**

**O-ring for Extra Tightness**

**DIN3203-M3 Length**

**1000PSI (PN63) for 1/4" to 3"**



DIMENSIONS (mm)									
Dime Size	D	H	h	L	ISO-5211		S	WT (KG)	TQ (N.m)
					A	B			
1/4"	11.5	42	7	65	F03	F04	9	0.46	5
3/8"	12.7	42	7	65	F03	F04	9	0.46	5
1/2"	15	42	7	75	F03	F04	9	0.48	7
3/4"	20	45	8	80	F03	F04	9	0.58	9
1"	25	52	11	90	F04	F05	11	1.00	15
1-1/4"	32	57	11	110	F04	F05	11	1.50	18
1-1/2"	38	68	14	120	F05	F07	14	2.40	29
2"	50	77	14	140	F05	F07	14	3.80	45
2-1/2"	63.5	99	17	185	F07	F10	17	7.50	70
3"	80	111	17	205	F07	F10	17	11.52	102



**DJV-3MB**

**ISO-5211 for Direct Mounting**

**Disc-Spring Loaded**

**DIN3203-M3 Length**

**1000PSI (PN63) for 1/4" to 1-1/2"**

**1000PSI (PN40) for 2" to 4"**

DIMENSIONS (mm)										
Dime Size	D	E	C	L	H	ISO-5211		S	WT (KG)	TQ (N.m)
						A	B			
1/2"	15	10	69.2	75	137	F03	F04	9	0.64	5
3/4"	20	10	72.2	80	137	F03	F04	9	0.80	10
1"	25	12	93.6	90	162	F04	F05	11	1.40	11
1-1/4"	32	12	97.6	110	162	F04	F05	11	1.88	20
1-1/2"	38	16	124	120	192	F05	F07	14	3.00	26
2"	49	16	132	140	192	F05	F07	14	4.55	30
2-1/2"	65	20	177.2	185	262	F07	F10	17	9.16	70
3"	80	20	187.2	205	262	F07	F10	17	13.80	90

