

- **Port Bore:** Full Bore
- **End:** NPT, BSPT, ISO-228 Thread
- **Material:** S/S; ASTM A351-CF8M; EN10213-4:1.4408
- **Pressure:** See Below
- **Testing:** According to API-598 (EN12266-1,2)
- **Temp.:** -50°F to 400°F (-10°C to 200°C)



GATE VALVE

Inside Screw & Screwed Bonnet,

**Integral Seat,
Non-Rising Stem,
Hand Wheel**

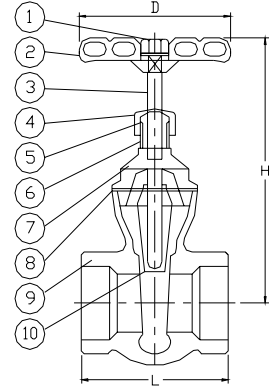
DJV-600H
PN16



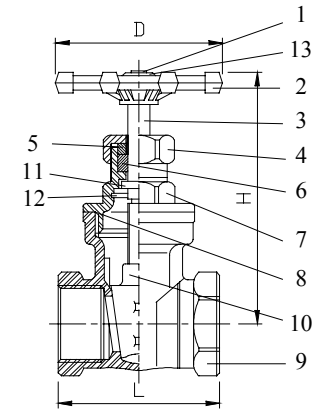
DJV-600
600PSI (PN40)

MATERIAL LIST			
NO.	PART	MATERIAL	Q'TY
1	Stem Nut	S/S304	1
2	Handwheel	Ductile Iron	1
3	Stem	S/S316	1
4	Gland Nut	CF8M/1.4408	1
5	Gland	S/S304	1
6	Packing	PTFE	1
7	Bonnet	CF8M/1.4408	1
8	Gasket	PTFE	1
9	Body	CF8M/1.4408	1
10	Disc	CF8M/1.4408	1
11	Washer	S/S304	1
12	Snap Ring	S/S304	1
13	Spin Washer	S/S304	1

DIME FOR DJV-600H (mm)				
Dime Size	L	H	D	WT (KG)
1/2"	57	98	70	0.52
3/4"	61	104	70	0.63
1"	67	115	76.5	0.81
1-1/4"	76	127.5	76.5	1.18
1-1/2"	87	172	103.5	2.00
2"	95	189	121	2.82
2-1/2"	116	260	121	4.60
3"	131	295	121	7.00



DIME FOR DJV-600 (mm)				
Dime Size	L	H	D	WT (KG)
1/2"	57	100	62	0.40
3/4"	61	100	62	0.50
1"	69	123	75	0.75
1-1/4"	79	135	75	1.10
1-1/2"	82	150	95	1.45
2"	95	170	95	2.10
2-1/2"	116	260	120	4.60
3"	131	295	120	7.00



GLOBE VALVE

**Screwed Bonnet,
Beveled Wedge Disc,
Integral Seat,
Rising Stem,
Hand Wheel**

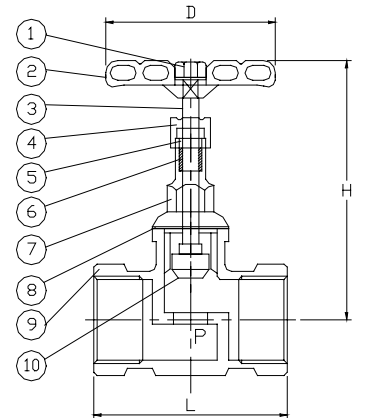
DJV-601H
PN16



DJV-601
600PSI (PN40)

MATERIAL LIST			
NO.	PART	MATERIAL	Q'TY
1	Stem Nut	S/S304	1
2	Handwheel	Ductile Iron	1
3	Stem	S/S316	1
4	Gland Nut	CF8M/1.4408	1
5	Gland	S/S304	1
6	Packing	PTFE	1
7	Bonnet	CF8M/1.4408	1
8	Gasket	PTFE	1
9	Body	CF8M/1.4408	1
10	Disc	CF8M/1.4408	1
11	Washer	S/S304	1

DIME FOR DJV-601H (mm)				
Dime Size	L	H	D	WT (KG)
1/2"	66	89.4	70	0.42
3/4"	68.5	89.2	70	0.46
1"	78.3	92.5	76.5	0.62
1-1/4"	86	118	103.5	1.05
1-1/2"	98	117	103.5	1.40
2"	110.5	142	121	2.10



DIME FOR DJV-601 (mm)				
Dime Size	L	H	D	WT (KG)
3/8"	63	106	62	0.40
1/2"	63	106	62	0.40
3/4"	70	106	62	0.50
1"	77	116	75	0.70
1-1/4"	87	122	75	0.90
1-1/2"	100	125	95	1.35
2"	110	130	95	1.65

