

- **Port Bore:** Full Bore
- **End:** NPT, BSPT, ISO-228 Thread
- **Material:** S/S; ASTM A351-CF8M; EN10213-4:1.4408
- **Pressure:** See Below
- **Testing:** According to API-598 (EN12266-1,2)
- **Temp.:** -50°F to 400°F (-10°C to 200°C)

### Y-SPRING CHECK VALVE

**PTFE Disc Seat,  
Stainless Steel Piston & Spring**

### Y-TYPE STRAINER

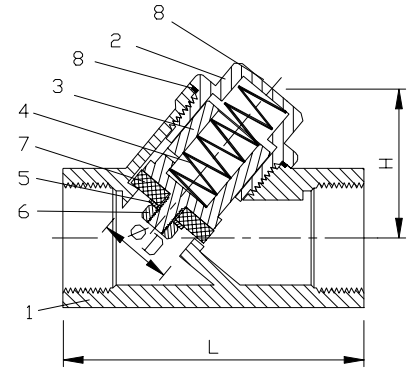
**S/S316 or S/S304 Screen (Mesh),  
Mesh Hole Size: 0.8mm, 1.0mm**



**DJV-604 (Y-Spring Check)**  
**600PSI** (PN40)  
Standard Length

MATERIAL LIST			
NO.	PART	MATERIAL	Q'TY
1	Body	1.4408	1
2	Cap	1.4408	1
3	Disc Bonnet	1.4408	1
4	Spring	S/S304	1
5	Thrust Washer	S/S304	1
6	Nut	S/S304	1
7	Disc	PTFE	1
8	Gasket	PTFE	1

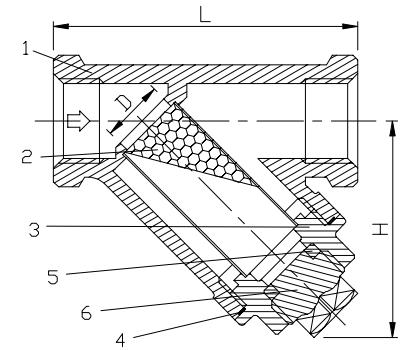
DIMENSIONS (mm)				
Dime Size	L	H	D	WT (KG)
1/4"	57	32	10	0.25
3/8"	57	32	10	0.25
1/2"	61	37	15	0.28
3/4"	70	41	20	0.40
1"	86	47	25	0.60
1-1/4"	100	54	32	0.90
1-1/2"	111	62	38	1.15
2"	138	76	51	1.65
2-1/2"	170	110	65	3.60
3"	195	130	80	5.00



**DJV-605 (Y-Strainer)**  
**600PSI** (PN40)  
Standard Length

MATERIAL LIST			
NO.	PART	MATERIAL	Q'TY
1	Body	1.4408	1
2	Screen	S/S316	1
3	Cap	1.4408	1
4	Gasket	PTFE	1
5	Packing	PTFE	1
6	Plug	1.4408	1

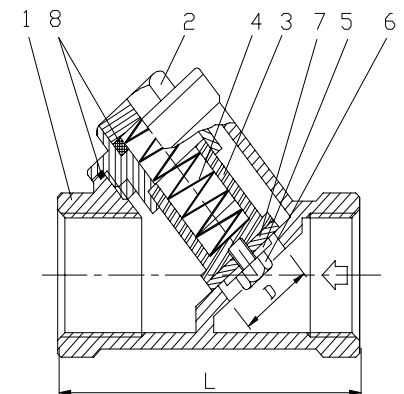
DIMENSIONS (mm)				
Dime Size	L	H	D	WT (KG)
1/4"	57	32	10	0.25
3/8"	57	32	10	0.25
1/2"	61	37	15	0.28
3/4"	70	41	20	0.40
1"	86	47	25	0.60
1-1/4"	100	54	32	0.90
1-1/2"	111	62	38	1.15
2"	138	76	51	1.65
2-1/2"	170	110	65	3.60
3"	195	130	80	5.00



**DJV-606 (Y-Spring Check)**  
**PN40** (600WOG)  
DIN3202-M8 Length

MATERIAL LIST			
NO.	PART	MATERIAL	Q'TY
1	Body	1.4408	1
2	Cap	1.4408	1
3	Disc Bonnet	1.4408	1
4	Spring	S/S304	1
5	Thrust Washer	S/S304	1
6	Nut	S/S304	1
7	Disc	PTFE	1
8	Gasket	PTFE	1

DIMENSIONS (mm)			
Dime Size	L	D	WT (KG)
1/4"	65	11.5	0.25
3/8"	65	11.5	0.25
1/2"	65	11.5	0.25
3/4"	75	17.4	0.40
1"	90	22.5	0.60
1-1/4"	110	30	0.85
1-1/2"	120	35	1.10
2"	150	45	1.60



**DJV-607 (Y-Strainer)**  
**PN40** (600WOG)  
DIN3202-M8 Length

MATERIAL LIST			
NO.	PART	MATERIAL	Q'TY
1	Body	1.4408	1
2	Screen	S/S316	1
3	Cap	1.4408	1
4	Gasket	PTFE	1
5	Packing	PTFE	1
6	Plug	1.4408	1

DIMENSIONS (mm)			
Dime Size	L	D	WT (KG)
1/4"	65	11.5	0.25
3/8"	65	11.5	0.25
1/2"	65	11.5	0.25
3/4"	75	17.4	0.40
1"	90	22.5	0.60
1-1/4"	110	30	0.85
1-1/2"	120	35	1.10
2"	150	45	1.60

