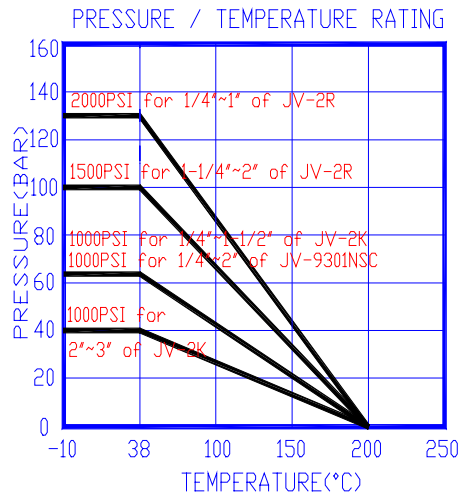


- End:** NPT, BSPT, ISO-228 Thread
- Material:** S/S; ASTM A351-CF8M; EN10213-4:1.4408
C/S; ASTM A216-WCB; EN10213-1:1.0619
- Pressure:** See Below
- Testing:** According to API-598 (EN12266-1,2)
- Certificate:** EN10204-3.1B
- Temp.:** -50°F to 400°F (-10°C to 200°C)
- Seat/Seal:** Virgin PTFE for JV-2K & JV-9301NSC
15% R-PTFE for JV-2R
- Stem:** S/S316 Blow-out Proof
- OPTIONS:** Padlocking Device, Oval or Butterfly Handle



MATERIAL LIST			
NO.	PART	MATERIAL	Q'TY
1	Body	CF8M/1.4408	1
2	Cap	CF8M/1.4408	1~2
3	Ball	S/S316	1
4	Seat	PTFE	2
5	Stem	S/S316	1
6	Seal	PTFE	1
7	Thrust Washer	PTFE	1
8	Stem Packing	PTFE	2
9	Gland Nut	S/S304	1
10	Stem Nut	S/S304	1
11	Stem Washer	S/S304	1
12	Handle	S/S304	1
13	Handle Sleeve	Plastic	1
14	Bolt	S/S304	4
15	Nut	S/S304	4
16	Locking Device	S/S304	1



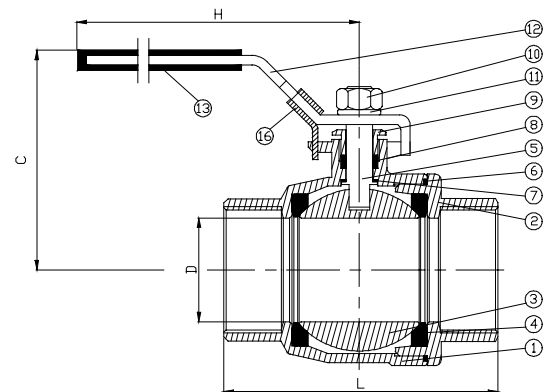
DJV-2K (Full Bore)

ISO-7/1 Thread Depth

1000PSI (PN63) for 1/4" to 1-1/2"

1000PSI (PN40) for 2" to 3"

DIMENSIONS (mm): for DJV-2K						
Size	Dime	D	L	C	H	TQ
1/4"		11.5	55.3	56.1	105	0.27
3/8"		12.5	55.3	55	105	0.25
1/2"		15	64.7	57.3	105	0.30
3/4"		20	73.4	67	125	0.50
1"		25	84.8	77.7	150	0.80
1-1/4"		32	99.5	82.8	150	1.20
1-1/2"		38	112.7	96.2	191	1.75
2"		49	129	102.3	191	2.80
2-1/2"		65	170	142	255	6.60
3"		80	192	152.5	255	9.90



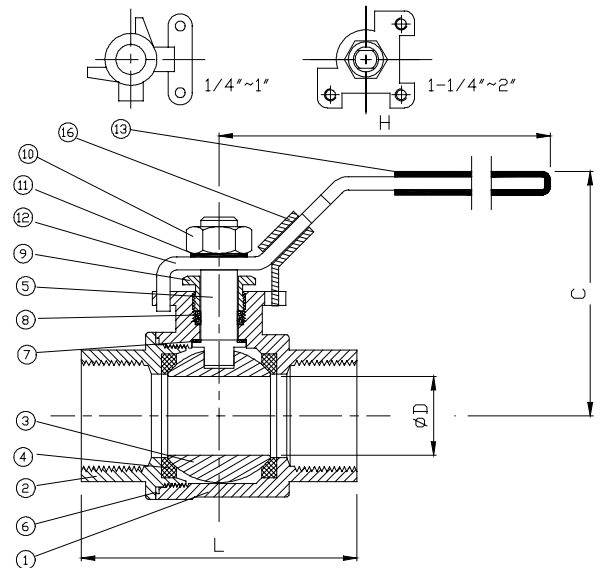
DJV-2R (Standard Bore)

Easy Actuator-Mounting

2000PSI (PN130) for 1/4" to 1"

1500PSI (PN100) for 1-1/4" to 2"

DIMENSIONS (mm): for DJV-2R						
Size	Dime	D	L	C	H	TQ
1/4"		11	54	44	97	0.30
3/8"		13	54	44	97	0.30
1/2"		13	57	44	97	0.30
3/4"		17	76	52	103	0.55
1"		22	86	56	103	0.55
1-1/4"		25	102	67	141	1.35
1-1/2"		32	111	71	141	1.65
2"		38	137	76	141	2.50



DJV-9301NSC (Full Bore)

Super-Competitive Type

1000PSI (PN63) for 1/4" to 2"

DIME. (mm): for DJV-9301NSC						
Size	Dime	D	L	C	H	TQ
1/4"		10.6	50	55	105	0.37
3/8"		12.7	55	55	105	0.37
1/2"		15	62	66	105	0.49
3/4"		20	68	61	125	0.62
1"		25	79	73	150	0.94
1-1/4"		32	90	79	150	1.48
1-1/2"		38	104	92	191	2.1
2"		49	126	101	191	3.21

