

- **Port Bore:** Full Bore
- **Material:** FC-20 (Cast Iron), FCD45 (Ductile Iron), CF8M (S/S316), CF8 (S/S304), WCB
- **Flange:** ANSI-150#/300#, JIS-10K/20K, DIN-PN16/40
- **Pressure:** **200PSI** (PN16) for Water, Oil, Gas Industry
- **Temp.:** -10°C to 200°C (-50°F to 400°F)
- **Plate:** Alum. Bronze Alloy, S/S316, S/S304, WCB
- **Seat:** NBR/EPDM, Viton, Metal to Metal
- **Spring:** S/S316

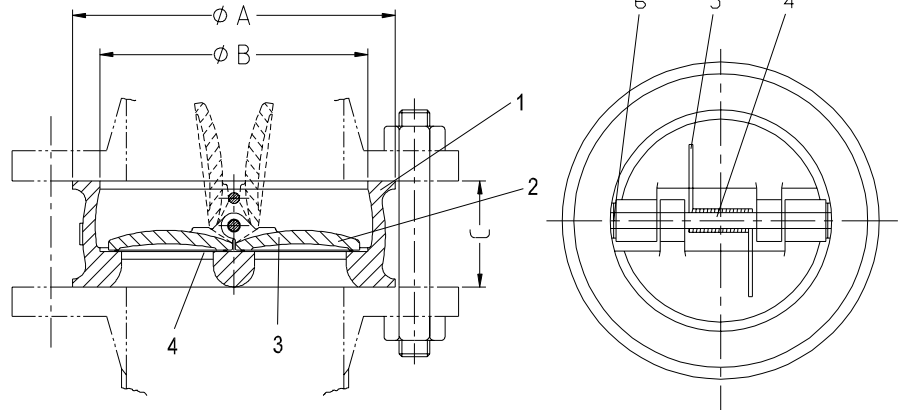


MATERIAL LIST		
NO.	PART	MATERIAL
1	Body	FC-20 (Cast Iron)
		FCD45 (Ductile Iron)
		CF8M, CF8, WCB
2	Plate	Aluminum Bronze Alloy
		CF8M, CF8, WCB
3	Hinge Pin	S/S304, S/S316
4	Stop Pin	S/S304, S/S316
5	Spring	S/S316
6	Body Bearing	PTFE
7	Seat	NBR/EPDM, Viton, Metal to Metal

### DJV-9004

**Dual Plate (Double Door)  
Wafer Check Valve**

DIMENSIONS (mm)					
SIZE		A	B	C	WT (KG)
INCH	MM				
1-1/2"	40	86	60	60	1.8
2"	50	101	60	60	2.5
2-1/2"	65	121	73	67	3.5
3"	80	131	89	73	4.5
4"	100	171	114	73	8
5"	125	187	141	87	10
6"	150	217	168	98	13
8"	200	276	219	127	28
10"	250	330	273	146	45
12"	300	406	324	181	68
14"	350	447	356	184	95
16"	400	511	406	191	132
18"	450	546	457	203	147
20"	500	603	508	219	202
22"	550	657	559	219	230



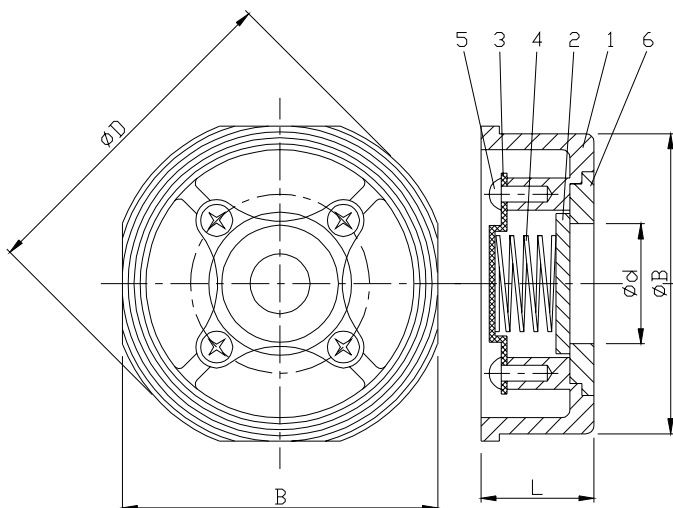
- **Port Bore:** Full Bore
- **Face-Face:** DIN3202-K4
- **Material:** CF8M (S/S316), CF8 (S/S304), WCB
- **Flange:** ANSI-150#/300#, DIN-PN10/40, JIS-10K
- **Pressure:** **600PSI** (PN25) for Water, Oil, Gas Industry
- **Temp.:** -60°F to 800°F (-23°C to 407°C)
- **Plate:** S/S316 (Metal to Metal)
- **Spring:** S/S316



### DJV-9005

**Single Door Wafer Check Valve**

MATERIAL LIST		
NO.	PART	MATERIAL
1	Body	1.4408
2	Disc	AISI 316
3	Cap	AISI 316
4	Spring	AISI 316
5	Screw	AISI 304
6	Insert	AISI 316



DIMENSIONS (mm)						
INCH	MM	d	B	D	L	WT (KG)
1/2"	15	15	45	53	16	0.1
3/4"	20	20	55	63	19	0.16
1"	25	25	65	73	22	0.28
1-1/4"	32	32	79	84	28	0.52
1-1/2"	40	38	89	94	31.5	0.7
2"	50	50	99	107	40	1.1
2-1/2"	65	62	118	126	46	1.58
3"	80	76.5	134	144	50	1.76
4"	100	96	154	164	60	3.3
5"	125	110	190	--	90	10
6"	150	130	218	--	105	13
8"	200	170	273	--	140	24