

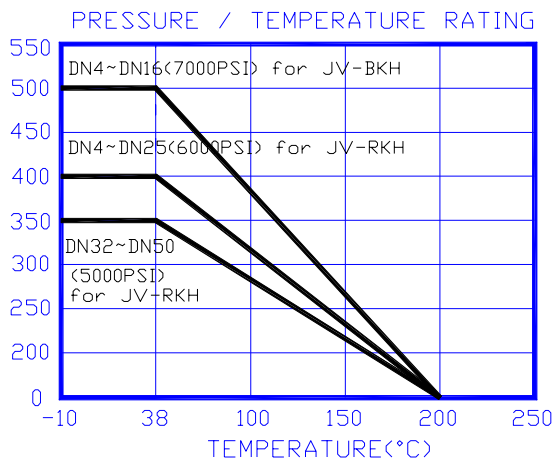
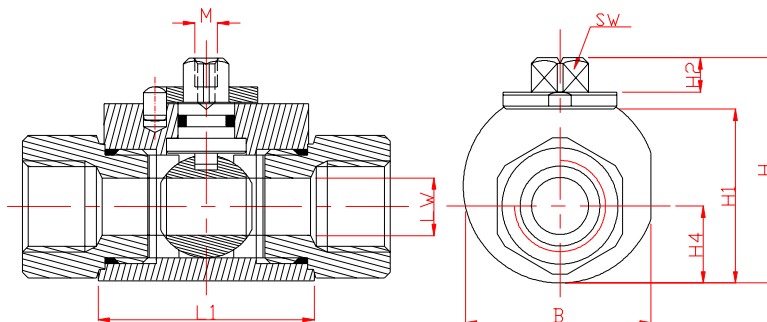
- **FEATURE:** High Pressure S/S Ball Valve
- **Port Bore:** Full Bore
- **End:** DIN/ISO-228, DIN2353, NPT Thread
- **Material:** Stainless Steel; S/S316 Ti; 1.4571
- **Pressure:** **PN400** (6000PSI) for DN4 to DN25
PN350 (5000PSI) for DN32 to DN50
- **Temp.:** -50°F to 400°F (-10°C to 200°C)
- **Seat/Seal:** PTFE, POM (Delrin)
- **Stem:** DIN 1.4571 (316 Ti)

Dimension (mm): for DJV-RKH

inch	DN	PN	L1	B	H	H1	H2	H4	M	SW	LW	WT (KG)
1/4"	6	400	36	35	43.5	32	8	13	M5	9	6	0.35
3/8"	10	400	43	42	49.5	38	8	16.5	M5	9	10	0.65
1/2"	16	400	48	50	62	46	12	19	M6	12	15	0.75
3/4"	20	400	62	60	74	57	12	25.5	M6	14	20	1.5
1"	25	400	66	65	79	63	12	28	M6	14	24	2.3
1-1/4"	32	350	81	90	104	84	13.5	38	M8	17	32	3.8
1-1/2"	40	350	85	83	111	92	13.5	41.5	M8	17	38	6.1
2"	50	350	100	100	130	111	13.5	50	M8	19	48	9.1



DJV-RKH



- **FEATURE:** High Pressure Block-Type Ball Valve
- **Port Bore:** Full Bore
- **End:** DIN/ISO-228, DIN2353, NPT Thread
- **Material:** Carbon Steel; Free Cutting Steel
- **Pressure:** **PN500** (7000PSI) for DN4 to DN16
PN400 (6000PSI) for DN20
PN350 (5000PSI) for DN25
- **Temp.:** -50°F to 400°F (-10°C to 200°C)
- **Seat/Seal:** PTFE, POM (Delrin), Polyamide
- **Stem:** Free Cutting Steel

Dimension (mm): for DJV-BKH

inch	DN	PN	L1	B	H	H1	H2	H4	M	SW	LW	WT (KG)
1/8"	4	500	36	26	43.5	32	8	13	M5	9	5	0.35
3/16"	6	500	36	26	43.5	32	8	13	M5	9	6	0.35
1/4"	8	500	36	26	43.5	32	8	13	M5	9	8	0.35
3/8"	10	500	43	32	49	38	8	16	M5	9	10	0.5
1/2"	13	500	48	35	51	40	8	17.5	M5	9	13	0.65
3/4"	20	400	62	49	73	57	12	24.5	M6	14	20	1.5
1"	25	350	66	60	76	60	12	26.5	M6	14	24	2



DJV-BKH

