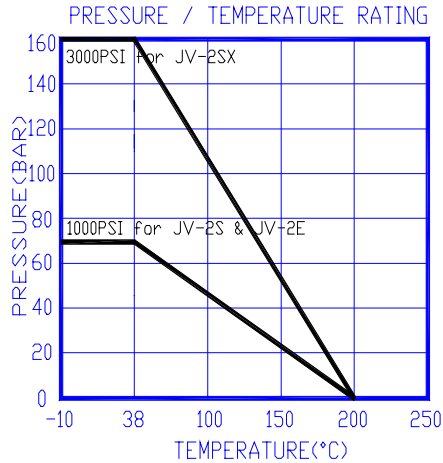


- **Port Bore:** Full Bore
- **End:** Male/Male, Male/Female Metric Thread
- **Material:** S/S; ASTM A351-CF8M; EN10213-4:1.4408
C/S; ASTM A216-WCB; EN10213-1:1.0619
- **Pressure:** **3000PSI** (PN160) for JV-2SX
1000PSI (PN63) for JV-2E & JV-2S
- **Testing:** According to API-598 (EN12266-1,2)
- **Certificate:** EN10204-3.1B
- **Temp.:** -50°F to 400°F (-10°C to 200°C)
- **Seat/Seal:** 15% RPTFE (Reinforced Glassfiber PTFE)
- **Stem:** S/S316 Blow-out Proof
- **OPTIONS:** Padlocking Device, Anti-Static Device
Double Ferrule & Back Nut are also Available



MATERIAL LIST			
NO.	PART	MATERIAL	Q'TY
1	Body	CF8M/1.4408	1
2	Cap	CF8M/1.4408	1
3	Ball	S/S316	1
4	Body Seat	RPTFE	2
5	Body Seal	PTFE	1
6	Stem	S/S316	1
7	Thrust Washer	PTFE	1
8	Stem Packing	PTFE	2
9	Gland Nut	S/S304	1
10	Stem Washer	S/S304	1
11	Stem Nut	S/S304	1
12	Handle	S/S304	1
13	Handle Sleeve	Plastic	1
14	Locking Device	S/S304	1



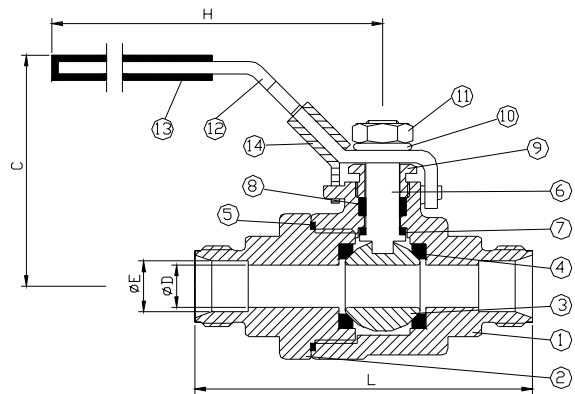
DJV-2E or JV-2S

Ermeto or DJV-Lok Type

1000PSI (PN63)

DIMENSIONS (mm): DJV-2S							
Dime Size	D	L	C	H	E	WT (KG)	TQ (N.m)
DN4	4	76	50	102	6	0.45	3
DN6	6	76	50	102	8	0.45	3
DN8	8	76	50	102	10	0.40	3
DN10	10	80	50	102	12	0.65	3
DN12	12	96	50	102	15	0.85	3
DN16	16	105	52	102	18	1.20	5

DIMENSIONS (mm): DJV-2E							
Dime Size	D	L	C	H	E	WT (KG)	TQ (N.m)
DN6	6	76	50	102	8	0.45	3
DN8	8	76	50	102	10	0.40	3
DN10	10	80	50	102	12	0.65	3
DN12	12	96	50	102	15	0.85	3
DN16	16	105	52	102	18	1.20	4.5



DJV-2SX

DJV-Lok with ISO-5211 Top Flange

3000PSI (PN160)

DIMENSIONS (mm):								
Dime Size	D	L	C	H	E	ISO-5211	WT (KG)	TQ (N.m)
DN4	4	76	50	102	6	F04	0.50	3
DN6	6	76	50	102	8	F04	0.50	3
DN8	8	76	50	102	10	F04	0.45	3
DN10	10	80	50	102	12	F04	0.70	3
DN12	12	96	50	102	15	F04	0.90	3
DN16	16	105	52	102	18	F04	1.20	5

