

- FEATURE:** **Silicone Free for Food or Beverage Industry**  
**ISO-5211 Top Flange,**
- Port Bore:** Full Bore
- End:** T-Clamp End, Butt-Weld (Tube) End
- Material:** S/S; ASTM A351-CF8M; EN10213-4:1.4408  
C/S; ASTM A216-WCB; EN10213-1:1.0619
- Pressure:** See Below
- Testing:** According to API-598 (EN12266-1,2)
- Certificate:** EN10204-3.1B
- Temp.:** -50°F to 400°F (-10°C to 200°C)
- Seat/Seal:** PTFE (Virgin Pure PTFE) Cavity-Filled Seat
- Stem:** S/S316 Blow-out Proof
- OPTIONS:** Padlocking Device  
Pneumatic or Electric Actuator

NO.	PART	MATERIAL	Q'TY	NO.	PART	MATERIAL	Q'TY
1	Body	CF8M/1.4408	1	12	Nut Stopper	S/S304	1
2	Cap	CF8M/1.4408	2	13	Stem Nut	S/S304	2
3	Ball	S/S316	1	14	Handle	S/S304	1
4	Cavity-Filled Seat	RPTFE	2	15	Handle Sleeve	Plastic	1
5	Anti-Static Stem	S/S316	1	16	Locking Device	S/S304	1
6	Thrust Washer	PTFE	1	17	Gland Ring	S/S301	1
7	Stem Packing	PTFE	2	18	Hex Cap Screw	S/S304	1
8	Bolt	S/S304	4~6	19	Stop Pin	S/S304	1
9	Hex Nut	S/S304	4~12	20	Seal	PTFE	2
10	Bolt Washer	S/S304	4~12	21	Gland Nut	S/S304	1
11	Belleville Disc	S/S304	2	22	Stem Washer	S/S304	1

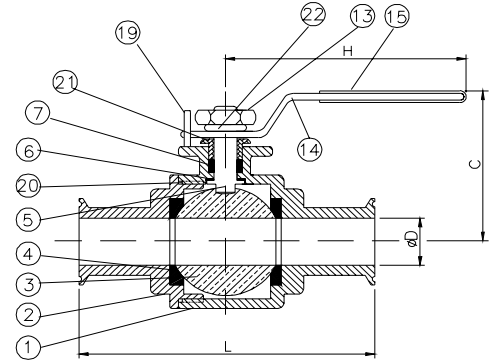


**DJV-2NST**

**Polished Body**

**1000PSI (PN63)** for 1/2" to 2"

Dim Size	D	L	C	H	ISO-5211	WT (KG)	TQ (N.m)
1/2"	9.5	80	50	106	F03	0.70	9
3/4"	15.9	100	65	131	F03	0.80	9.5
1"	22.2	116	70	131	F04	1.27	10
1-1/2"	35	132	95	191	F05	2.43	30
2"	47.6	140	110	198	F05	3.63	45



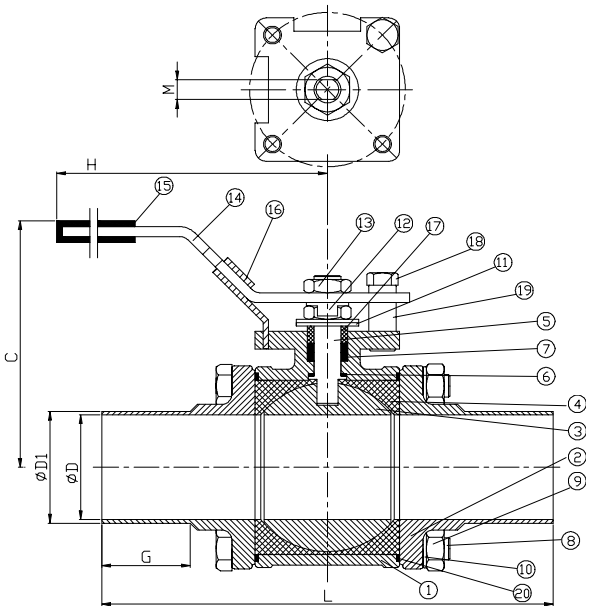
**DJV-9301NC-SB**

**Disc-Spring Loaded**

**1000PSI (PN63)** for 1/2" to 1-1/2"

**1000PSI (PN40)** for 2" to 4"

Dim Size	D	D1	L	C	H	G	M	ISO-5211	WT (KG)	TQ (N.m)
1/2"	9.4	12.8	139.7	65	133	25.9	5	F04	0.7	10
3/4"	15.7	19.1	152.4	71	133	31	7	F04	0.87	16
1"	22.1	25.4	165.1	78	164	33.5	7	F05	1.23	20
1-1/2"	34.7	38.1	190.5	102	201	33.5	9	F05	2.5	35
2"	47.5	50.8	203.2	110	214	39.9	9	F07	4	50
2-1/2"	60.3	63.6	241.3	155	276	33.5	12	F07	8.5	85
3"	73	76.3	266.7	162	372	38.1	12	F10	13.5	110
4"	97.4	101.7	317.5	193	373	52.6	16	F10	19.8	135



**DJV-9301NST**

**1000PSI (PN63)** for 1/2" to 1-1/2"

Dim Size	D	L	C	H	M	ISO-5211	WT (KG)	TQ (N.m)
1/2"	9.4	89	61	118	6.5	F04	0.7	9
3/4"	15.7	101	66	118	6.5	F04	0.8	9.5
1"	22.1	114	78	152	8	F04	1.27	10
1-1/2"	34.7	140	95	189	9	F05	2.43	30
2"	47.5	156	104	189	9	F05	3.63	45
2-1/2"	60.3	197	148	254	12	F07	8.5	80
3"	73	229	155	254	12	F07	12	110
4"	97.4	241	184	282	16	F10	19.8	135

