

- **Port Bore:** Full Bore
- **End:** NPT, BSPT, ISO-228 Thread
- **Material:** S/S; ASTM A351-CF8M; EN10213-4:1.4408
- **Pressure:** See Below
- **Testing:** According to API-598 (EN12266-1,2)
- **Temp.:** -50°F to 400°F (-10°C to 200°C)

SWING CHECK VALVE

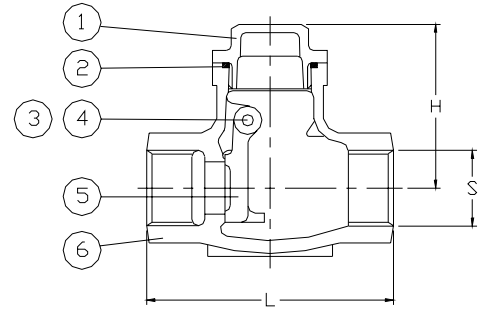
- **Screwed Cap,**
- **Swing-Type Disc**
- **Integral Seat,**



CE DJV-602H
PN16

DIMENSIONS (mm)				
Dime Size	L	H	S	WT (KG)
1/2"	66	46	21.8	0.3
3/4"	81	54	27.1	0.48
1"	91	60	33.8	0.75
1-1/4"	106.5	72	42.6	1.15
1-1/2"	121	75	48.7	1.54
2"	142	82	61.2	2.54
2-1/2"	159	90	--	3.8
3"	190	104	--	5.9

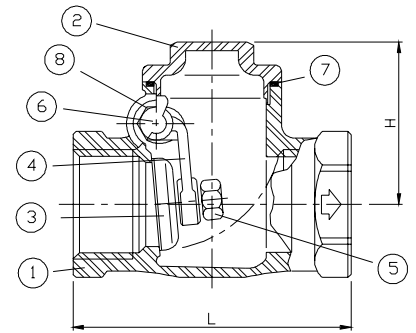
MATERIAL LIST		
NO.	PART	MATERIAL
1	Cover	1.4408
2	Gasket	PTFE
3	Pin	S/S316
4	Plug	S/S316
5	Disc	1.4408
6	Body	1.4408



DJV-602
600PSI (PN40)

DIME. (mm)			
Dime Size	L	H	WT (KG)
1/2"	60	41.5	0.29
3/4"	78	46	0.53
1"	84	49	0.69
1-1/4"	94	53.5	0.85
1-1/2"	104	58.5	1.20
2"	122	67	1.80
2-1/2"	153	105	3.50
3"	175	125	5.00

MATERIAL LIST			
NO.	PART	MATERIAL	Q'TY
1	Body	CF8M	1
2	Cap	CF8M	1
3	Disc	CF8M	1
4	Rod	CF8M	1
5	Disc Nut	S/S316	1
6	Pin	S/S304	1
7	Gasket	PTFE	1
8	Bolt	S/S304	1



DJV-603
600PSI (PN40)

Y-TYPE GLOBE VALVE

- **Screwed Bonnet, PTFE Seats,**
- **Beveled Wedge Disc, Integral Seat,**
- **Rising Stem, Hand Wheel**

DIMENSIONS (mm)				
Dime Size	L	H	D	WT (KG)
1/4"	57	90	10	0.30
3/8"	57	90	10	0.30
1/2"	61	100	15	0.40
3/4"	70	125	20	0.50
1"	86	130	25	0.70
1-1/4"	100	165	32	0.90
1-1/2"	111	195	38	1.35
2"	138	210	50	1.65

MATERIAL LIST			
NO.	PART	MATERIAL	Q'TY
1	Body	CF8M	1
2	Bonnet	CF8M	1
3	Nut	S/S304	1
4	Stem Washer	S/S316	1
5	Pin	S/S316	1
6	Stem	S/S316	1
7	Disc	PTFE	1
8	Gasket	PTFE	1
9	Packing	PTFE	1
10	Gland	S/S316	1
11	Thrust Gland	S/S316	1
12	Bonnet Ring	S/S316	1
13	Handle Nut	S/S304	1
14	Hand Wheel	Ductile Iron	1

